

# FluoroLine<sup>®</sup> Dual Containment Tubing Cutter Instructions

## TUBE CUTTING PROCEDURE

**⚠ WARNING: Blade is sharp. Fully retract blade when not in use.**

To maintain optimum system and cutter performance, the cutter blade should be inspected before each use. Extend the blade and inspect for rust, corrosion or nicks, each of which can hinder cutting performance. If any of these conditions exist or the cutter does not cut properly, replace the cutter blade.

1. Extend the blade for inspection by pushing the tabs downward away from the screws.
2. Before inserting tubing, retract the blade by pulling the tabs upward toward the screws.
3. Insert tubing into cutter until snap noise is heard or the tube is fully engaged into the opening (Figure 1).

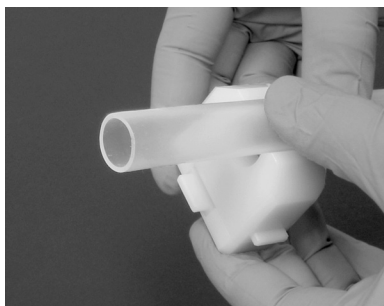


Figure 1.

4. Raise cutter blade into place by sliding tabs toward tubing until audible click is heard (Figure 2).

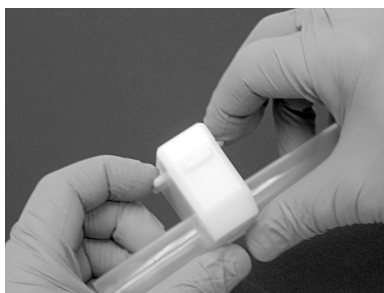


Figure 2.

5. Rotate cutter at least two full rotations around tubing (Figure 3).

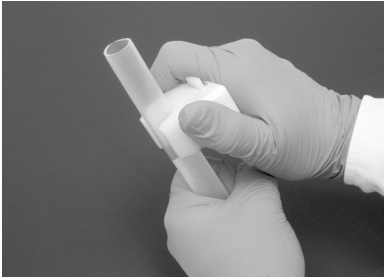


Figure 3.

6. Retract blade (Figure 4).

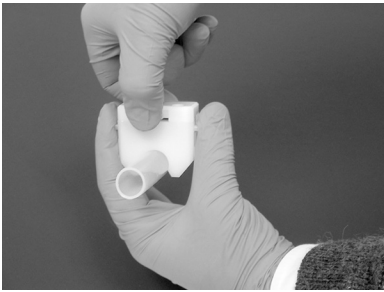


Figure 4.

7. Remove tubing.
8. Snap tubing on the cut line in one direction to begin break (Figure 5).

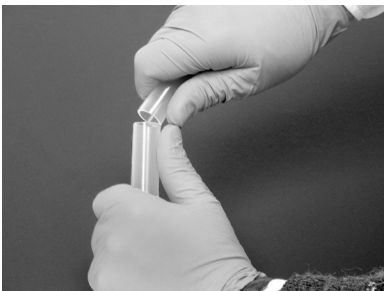


Figure 5.

9. Rotate 180 degrees and snap to complete break (Figure 6).

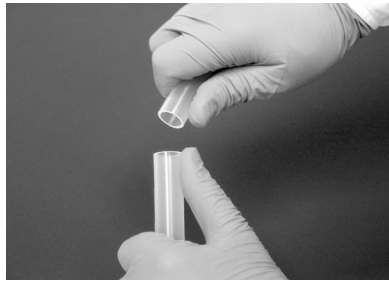
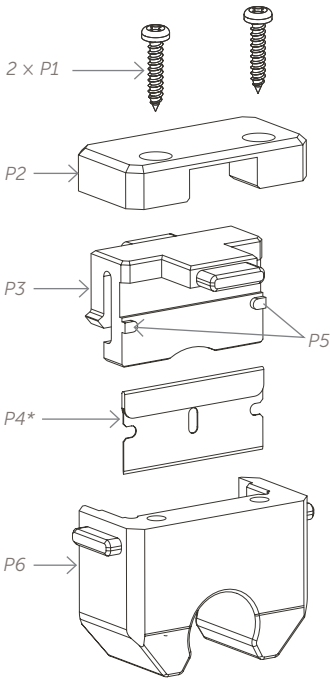


Figure 6.

## BLADE REPLACEMENT PROCEDURE

### FOR 213-203-N (½" TUBE), 213-204-N (¾" TUBE), 213-205-N (1" TUBE)

1. Remove two screws (P1) and cover (P2).
  2. Remove blade holder (P3).
  3. Remove blade and properly discard (P4).
  4. Insert new blade\* over locating tabs (P5).
  5. Slide blade holder (P3) into cutter body (P6) until snap is heard.
- ⚠ CAUTION: Blade is now exposed in the cutting position.**
6. Re-install cover (P2) and screws (P1).
  7. Fully retract and extend blade to make certain blade motion does not bind.
  8. Blade replacement is now complete. Fully retract blade when not in use.



*\*Use only Red Devil® standard single-edge razor blade.*

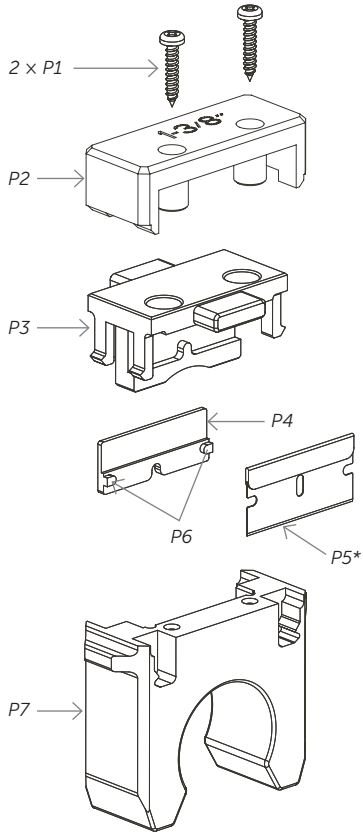
**FOR 213-213-N (1¼" TUBE), 213-218-N (40 MM TUBE), 213-221-N (1½" TUBE)**

1. Remove two screws (P1) and cover (P2).
2. Remove blade holder (P3).
3. Remove metal insert (P4) and blade (P5). Properly discard blade (P5).
4. Place metal insert (P4) back into blade holder (P3).
5. Insert new blade\* over locating tabs (P6).
6. Slide blade holder (P3) with metal insert (P4) and blade (P5) into cutter body (P7) until snap is heard.

**⚠ CAUTION: Blade is now exposed in the cutting position.**

7. Re-install cover (P2) and screws (P1).
8. Fully retract and extend blade to make certain blade motion does not bind.

9. Blade replacement is now complete. Fully retract blade when not in use.



*\*Use only Red Devil standard single-edge razor blade.*

#### FOR MORE INFORMATION

Please call your Regional Customer Service Center today to learn what Entegris can do for you. Visit [entegris.com](http://entegris.com) and select the Contact Us link to find the customer service center nearest you.

#### TERMS AND CONDITIONS OF SALE

All purchases are subject to Entegris' Terms and Conditions of Sale. To view and print this information, visit [entegris.com](http://entegris.com) and select the Terms & Conditions link in the footer.



Corporate Headquarters  
129 Concord Road  
Billerica, MA 01821  
USA

Customer Service  
Tel +1 952 556 4181  
Fax +1 952 556 8022  
Toll Free 800 394 4083

Entegris®, the Entegris Rings Design™, Pure Advantage™ and FluoroLine® are trademarks of Entegris, Inc. Red Devil® is a trademark of Red Devil, Inc.

©2004-2017 Entegris, Inc. | All rights reserved. | Printed in the USA | 3130-1728ENT-1017