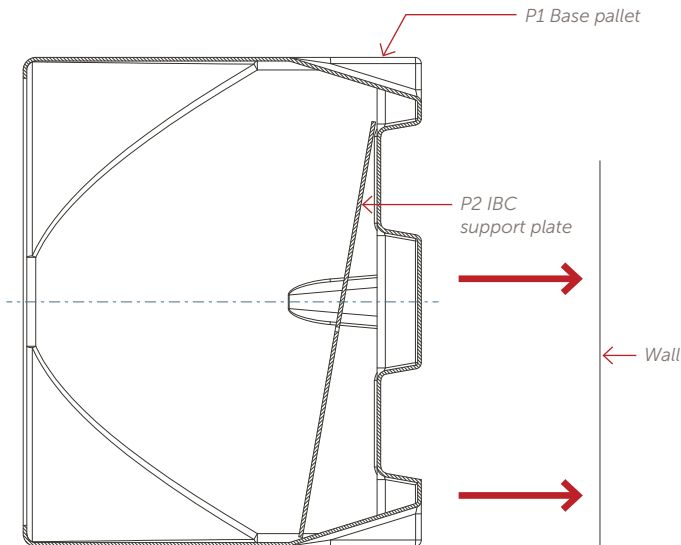


FluoroPure[®] 800 and 1200 Liter Intermediate Bulk Container (IBC)

Base pallet instructions

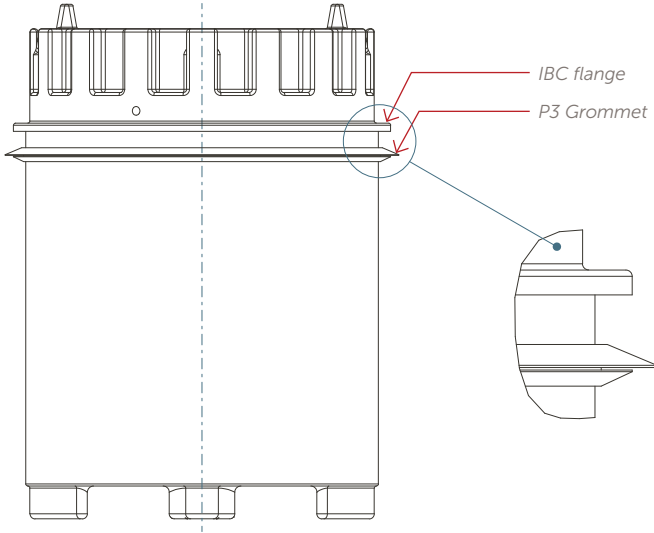
INSTALLATION

1. Tip the IBC base pallet on its side.
2. Support the base pallet by resting the bottom against a stationary object (i.e., a wall).
3. Properly position the IBC support plate.



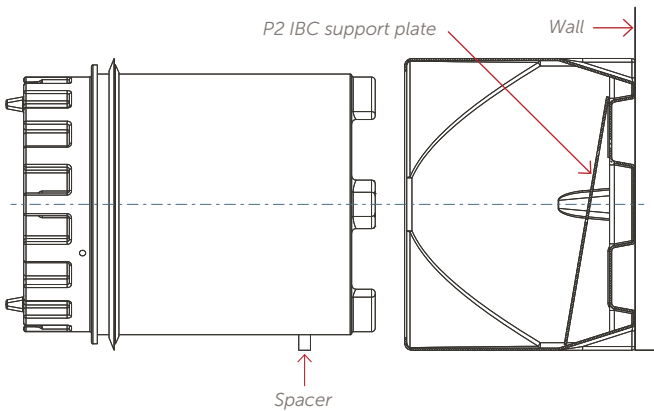
- Slide the grommet up the side of the IBC, stopping a couple of inches below the IBC flange. Make sure the grommet's outer lip is positioned as shown.

NOTE: For easier installation, lay IBC on its side, install the grommet from the bottom and slide up.



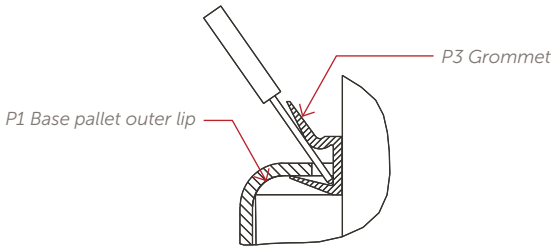
- With the IBC lying on its side, slide the IBC into the base pallet and stand the entire package upright.

NOTE: To more easily slide the IBC into the pallet, place a spacer beneath the IBC so it raises the IBC to the same height as the base pallet opening.

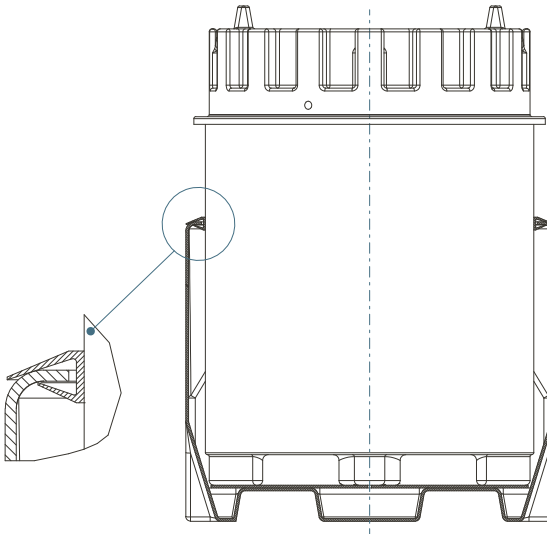


- Slide the grommet down the IBC until the grommet touches the base pallet. Using a blunt instrument, push the lower lip of the grommet under the inner lip of the base pallet.

WARNING: Be careful not to cut the IBC overpack (blue polyethylene) when securing the grommet.



- Visually inspect around the entire IBC for proper grommet engagement.
- Assembly is complete.



ORDERING INFORMATION

Base Pallet Kit: part number

RM10092S01

Item	Description
P1	800 and 1200 liter IBC base pallet
P2	Support plate
P3	Grommet

Replacement Grommet: part number

01-000317

FOR MORE INFORMATION

Please call your Regional Customer Service Center today to learn what Entegris can do for you. Visit entegris.com and select the Contact Us link to find the customer service center nearest you.

TERMS AND CONDITIONS OF SALE

All purchases are subject to Entegris' Terms and Conditions of Sale. To view and print this information, visit entegris.com and select the Terms & Conditions link in the footer.



Corporate Headquarters
129 Concord Road
Billerica, MA 01821
USA

Customer Service
Tel +1 952 556 4181
Fax +1 952 556 8022
Toll Free 800 394 4083

Entegris®, the Entegris Rings Design™, Pure Advantage™ and FluoroPure® are trademarks of Entegris, Inc.
©2000-2017 Entegris, Inc. | All rights reserved. | Printed in the USA | 3520-0258ENT-0117