

# Replacement Keyed Retainer and Kit for ErgoNOW™ Bottle System Connector

*The ErgoNOW bottle system connector keyed retainer provides misconnect prevention when dispensing material using the ErgoNOW connector and the matching key-coded SmartCap™ or IntelliCap™ closure*

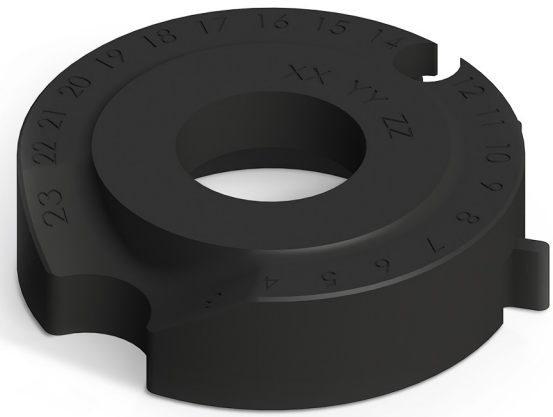
The keyed retainer component of the ErgoNOW™ connector helps ensure that the correct material is dispensed when using the ErgoNOW connector in conjunction with the SmartCap™ or IntelliCap™ closure. The connector snaps into place only when the connector and closure key codes match. The replacement retainer kit allows customers the flexibility to update their connector with a new chemical key code.

## APPLICATION

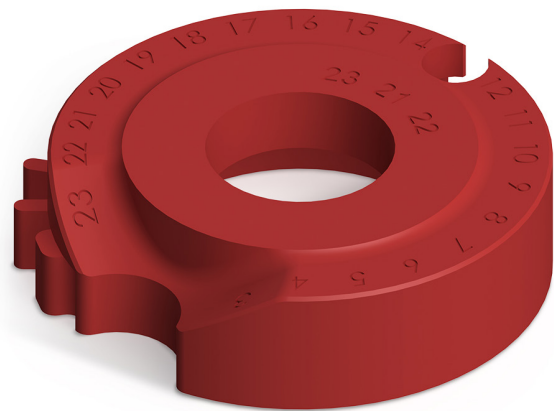
- ErgoNOW connector key codes are field updatable to align with a new customer chemical or material

## FEATURES & BENEFITS

- Customers can reuse their ErgoNOW dispense connector for a different chemical by replacing the key-coded retainer, saving money and reducing waste
- Key-coded systems help prevent dispensing the wrong material

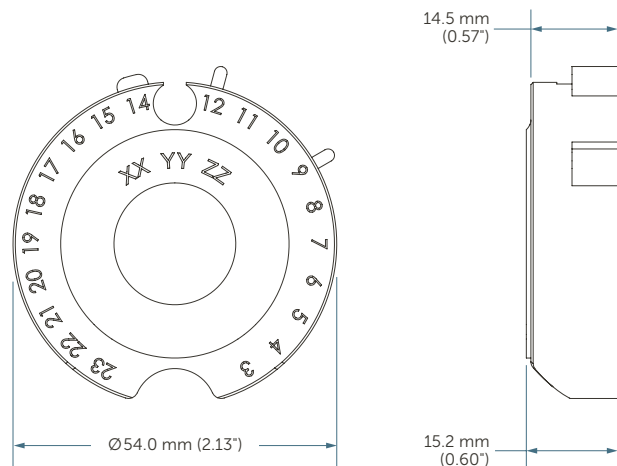


ErgoNOW keyed retainer



ErgoNOW keyed retainer, Delrin® (default code only)

## DIMENSIONS



## SPECIFICATIONS

Part number	PA-12-XXYYZZ*	PA-13-XXYYZZ* AND PA-13-232122	LKR-AA-XXYYZZ*	PA-12-232122 (DEFAULT CODE)	LKR-AA-232122 (DEFAULT CODE)	
<b>Contents</b>	Retainer only	Retainer only	Kit with hardware	Retainer only	Kit with hardware	
<b>Materials of construction</b>	Delrin	Noryl	Delrin	Delrin	Delrin	
	Screws and lock washers	—	—	Stainless steel	—	Stainless steel
	O-ring	—	—	EPDM	—	EPDM
<b>Retainer color</b>	Black	Black	Black	Red	Red	
<b>Cleanliness</b>	Retainer to be free from lubricants and other extraneous foreign materials consistent with Entegris' processes and procedures.					

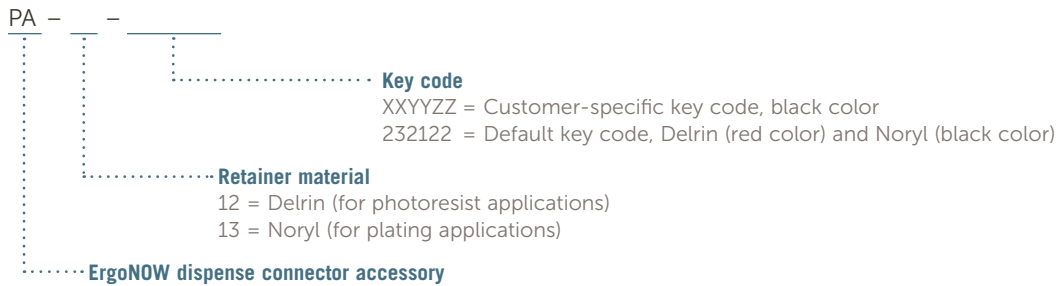
\*XXYYZZ represents the customer-specific key code

## SHIPPING INFORMATION

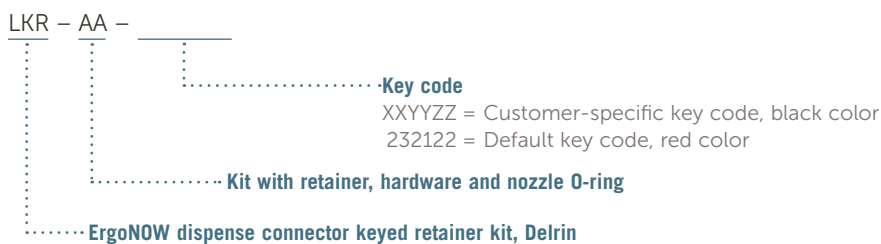
<b>Packaging</b>	Keyed retainers are double bagged and then placed one per corrugated box and secured with bubble wrap. For LKR-AA-(key code) kit part numbers that include hardware, the hardware is bagged separately from the retainer and may be packaged up to five per corrugated box.
<b>Labeling</b>	Each carton is labeled with the part number and quantity.

## ORDERING INFORMATION

ErgoNOW Dispense Connector Keyed Retainer Only: part number



ErgoNOW Dispense Connector Keyed Retainer with Hardware: part number



## LIMITED WARRANTY

Entegris' products are subject to the Entegris, Inc. General Limited Warranty. To view and print this information, visit [entegris.com](http://entegris.com) and select the [Legal & Trademark Notices](#) link in the footer. Entegris does not warranty any failure in the case of customers using unapproved foreign components.

## FOR MORE INFORMATION

Please call your Regional Customer Service Center today to learn what Entegris can do for you. Visit [entegris.com](http://entegris.com) and select the [Contact Us](#) link to find the customer service center nearest you.

## TERMS AND CONDITIONS OF SALE

All purchases are subject to Entegris' Terms and Conditions of Sale. To view and print this information, visit [entegris.com](http://entegris.com) and select the [Terms & Conditions](#) link in the footer.



### Corporate Headquarters

129 Concord Road  
Billerica, MA 01821  
USA

### Customer Service

Tel +1 952 556 4181  
Fax +1 952 556 8022  
Toll Free 800 394 4083

Entegris®, the Entegris Rings Design®, and other product names are trademarks of Entegris, Inc. as listed on [entegris.com/trademarks](http://entegris.com/trademarks). All third-party product names, logos, and company names are trademarks or registered trademarks of their respective owners. Use of them does not imply any affiliation, sponsorship, or endorsement by the trademark owner.

©2019 Entegris, Inc. | All rights reserved. | Printed in the USA | 7119-10510ENT-0519