

IntelliCap™ RFID Closure

*RFID-enabled breakseal closure
for misconnect prevention*

IntelliCap™ closures are used together with the NOWPak® liner-based bottle system to seal the bottles after they are filled with chemical. IntelliCap closures are used specifically with the NOWTrak® RFID system to manage information about consumable chemicals. The NOWTrak system also serves as an event manager and a misconnect prevention system.

APPLICATIONS

- Designed for applications where multiple chemicals are used



IntelliCap Closure

FEATURES & BENEFITS

IntelliCap closures with RFID technology are matched only to an ErgoNOW™ dispense connector key coded for the same chemical

Helps prevent dispensing the wrong material, avoiding costly misconnects

IntelliCap closures are a component of the NOWTrak comprehensive chemical management solution

NOWTrak system writes to the IntelliCap closure RFID tag to allow tracking, inventory management, and chemical status

Closure breakseal design

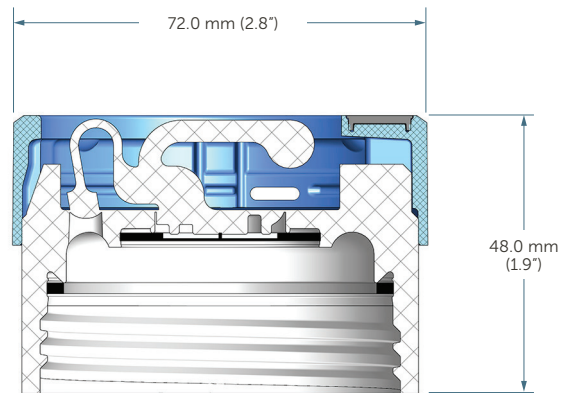
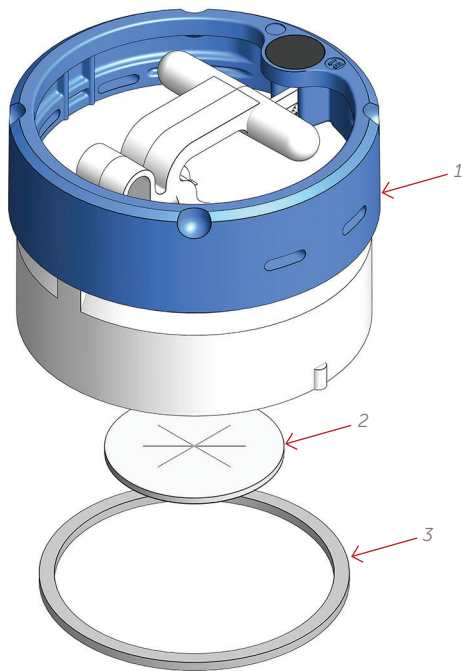
Minimizes exposure of critical materials to the environment during installation of the dispense connector

SPECIFICATIONS

Materials of construction	Closure body	LLDPE, white	
	Breakseal	Pre-cleaned, laminate construction with PTFE wetted surface	
	Gasket	PE foam	
	Closure ring	PP, blue	
	RFID memory tag	Encapsulated RFID passive memory device	
	Target cap	PP, black	
Weight	60 g (0.13 lbs.)		
Closure thread	Modified 63 mm buttress thread 4.24 mm (0.167") pitch		
Application torque	9.3 ± 0.3 N•m (80 – 85 in•lb)		
Memory device	Memory	1024 bytes	
	Data transfer rate	106 kbit/sec	
	Protection class	NEMA 6P/13 (IP68)	
	Input voltage frequency	13.56 MHz	
	Write endurance	100,000 cycles	
	ESD voltage level	2 kV (MIL 883D, human body)	
Manufacturing standards	Fabricated and tested in a Class 5 Cleanroom as per International Standard ISO 14644-1:* Cleanrooms and associated controlled environments – Part I: Classification of air cleanliness.		
Cleanliness	Closure assembly to be free from lubricants and other extraneous foreign materials consistent with Entegris' processes and procedures.		
Packaging	Closure assemblies are bulk packaged in heat sealed PE bags, then placed in a corrugated shipping carton. Each heat-sealed PE bag contains 10 IntelliCap closures. Each shipping carton contains either ten (TC-W1-10) or 50 (TC-W1-50) IntelliCap closures.		
Labeling	Each heat-sealed bag of 10 IntelliCap closures is labeled with the part number, batch number, bag quantity, and date of manufacture.		
	Each corrugated shipping carton is labeled with the part number, batch number, box quantity, and date of manufacture.		
Shipping information	Part number	Box quantity	Box dimensions (L x W x H)
	TC-W1-10	10	445 mm x 140 mm x 140 mm (17.5" x 5.5" x 5.5")
	TC-W1-50	50	445 mm x 286 mm x 191 mm (17.5" x 11.3" x 7.5")

*ISO standard certification is kept up to date as necessary to remain current and effective to be able to demonstrate compliance with up-to-date ISO requirements.

DIMENSIONS



Item	Description	Quantity
1	IntelliCap closure assembly	1
2	Breakseal	1
3	Gasket	1

ORDERING INFORMATION

IntelliCap closure with breakseal: part number

TC - W1 -



IntelliCap Closure Accessories

Part number	Description
NA-47	Tear tab removal tool for SmartCap™ and IntelliCap closures, Delrin®
NA-47-SS	Tear tab removal tool for SmartCap and IntelliCap closures, stainless steel
NA-33	Torque wrench, 3/8", 0 – 150 lbf•in with 3/8" to 1/2" adapter
NA-42	Torque tool adapter, SmartCap and IntelliCap closures
NA-65-100	Plug for closure disposal (quantity of 100)
NA-46-250	Shipping ring for NC-W1, NC-W2, SmartCap and IntelliCap closures (quantity of 250)
NA-11-01-1	UN rated shipping box, for one 1-liter NOWPak bottle
NA-11-01-6	UN rated shipping box, for six 1-liter NOWPak bottles
NA-11-02-1	UN rated shipping box, for one 2.5-liter NOWPak bottle
NA-11-04-1	UN rated shipping box, for one 4-liter NOWPak bottle
NA-11-04-4	UN rated shipping box, for four 4-liter NOWPak bottles
NA-11-05-1	UN rated shipping box, for one 10-liter NOWPak bottle
NA-11-05-2	UN rated shipping box, for two 10-liter NOWPak bottles
NA-74-01-6	Japanese, UN rated shipping box, for six 1-liter NOWPak bottles
NA-74-04-1	Japanese, UN rated shipping box, for one 4-liter NOWPak bottle
NA-74-04-4	Japanese, UN rated shipping box, for four 4-liter NOWPak bottles
NA-74-05-1	Japanese, UN rated shipping box, for one 10-liter NOWPak bottle
NA-74-05-2	Japanese, UN rated shipping box, for two 10-liter NOWPak bottles

FOR MORE INFORMATION

Please call your Regional Customer Service Center today to learn what Entegris can do for you. Visit [entegris.com](https://www.entegris.com) and select the [Contact Us](#) link to find the customer service center nearest you.

TERMS AND CONDITIONS OF SALE

All purchases are subject to Entegris' Terms and Conditions of Sale. To view and print this information, visit [entegris.com](https://www.entegris.com) and select the [Terms & Conditions](#) link in the footer.



Corporate Headquarters

129 Concord Road
Billerica, MA 01821
USA

Customer Service

Tel +1 952 556 4181
Fax +1 952 556 8022
Toll Free 800 394 4083

Entegris®, the Entegris Rings Design®, and other product names are trademarks of Entegris, Inc. as listed on [entegris.com/trademarks](https://www.entegris.com/trademarks). All third-party product names, logos, and company names are trademarks or registered trademarks of their respective owners. Use of them does not imply any affiliation, sponsorship, or endorsement by the trademark owner.

©2024 Entegris, Inc. | All rights reserved. | Printed in the USA | 7119-13631ENT-0724