

NOWPak[®] Bottle Dispense Closure

Multifunctional dispense closure

The NCD-AA-AA dispense closure can be used with the NOWPak[®] Liner-based Bottle Systems or PDMPak[®] System for Pressurized Applications for filling, sealing, shipping, connecting, and dispensing chemical. The dispense closure is recommended for use with 1 liter NOWPak or PDMPak bottles.



NCD-AA-AA dispense closure

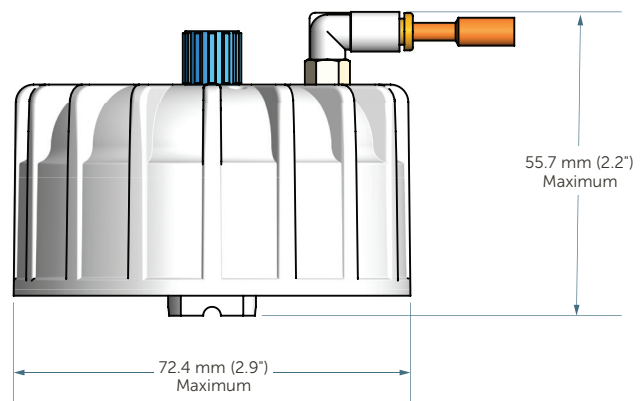
APPLICATIONS

- NOWPak systems are designed for applications that require containment and safe transport of high-purity liquids and liquids that are sensitive to outer environments

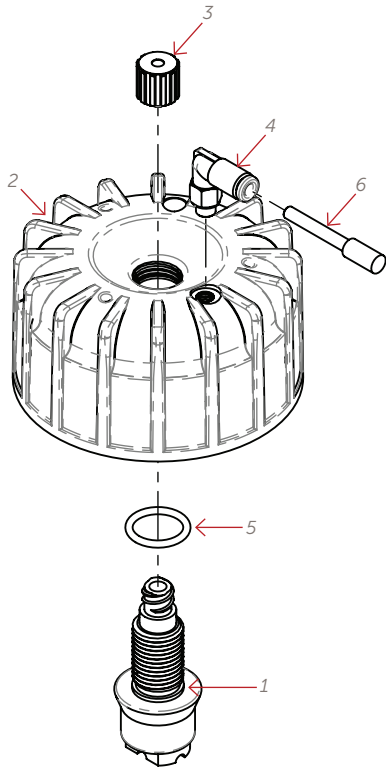
FEATURES & BENEFITS

- NOWPak bottle systems sealed with the dispense closure can be used to dispense chemical without removing the closure or attaching a separate dispense connector, simplifying the dispense process
- Cost-effective, multifunction design eliminates the need for a separate connector
- Dispense connector helps protect chemical from exposure to moisture, air, and other environmental contaminants
- Easy on and off luer-type liquid outlet cap helps reduce operator exposure to chemical fumes

DIMENSIONS



SPECIFICATIONS



Item	Quantity	Description
1	1	Adapter, cap seat
2	1	Body, closure, NCD-AA-AA
3	1	Cap, luer locking
4	1	Fitting, elbow, 1/8" tube x 10-32UNF
5	1	O-ring, 0.49" ID x 0.07" C.S., EPDM
6	1	Plug, fitting, 1/8" quick connect

Part number	NCD-AA-AA		
Weight	54 g (0.12 lb)		
Closure thread	M63SP-400 modified 63 mm buttress thread, 4.24 mm pitch		
Application torque	Dispense closure: 9.3 ± 0.3 N•m or 95 ± 3 kgf•cm (80–85 in•lbs)		
Materials of construction	Wetted	Cap seat adapter	HDPE
		Luer-type liquid outlet shipping plug	Polypropylene
	Nonwetted	Closure body	Polypropylene
		Gas inlet elbow	Assembled parts made from the following materials: PBT/PP/POM/C3604/SUS304/NBR-seals
		Gas inlet plug	Polypropylene
		Secondary seal o-ring	EPDM
Tube connections	Liquid outlet	Female Luer fitting with 1/8" flow path	
	Gas inlet	1/8" tube connector	
Manufacturing standards	Assembled and tested in a Class 5 Cleanroom as per International Standard ISO 14644-1:1999 Cleanrooms and associated controlled environments – Part 1: Classification of air cleanliness.		
Cleanliness	Closure assembly to be free from lubricants and other extraneous foreign materials consistent with Entegris' processes and procedures.		

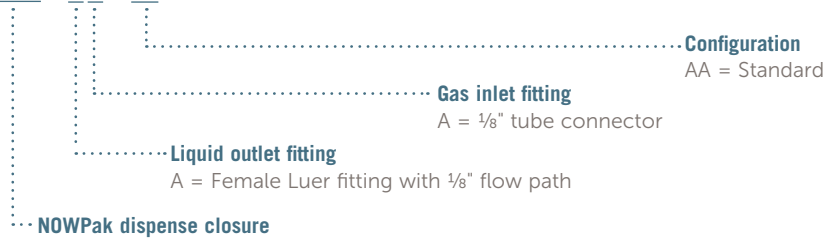
SHIPPING INFORMATION

Packaging	Closures are packaged two to a bag and then double bagged. Ten closures are packaged in a corrugated carton.
	Carton dimensions: 330 mm L x 229 mm W x 178 mm H (13" L x 9" W x 7" H)
Labeling	Each carton is labeled with the part number, batch number and quantity.

ORDERING INFORMATION

NOWPAK Bottle Dispense Closure: part number

NCD – AA – AA



ACCESSORIES

Part number	Description
NA-110-50	Shipping ring for dispense closure, 2.75" tall (quantity of 50)
NA-109-01-1	UN rated shipping box, for one 1-liter NOWPak bottle
NA-109-01-6	UN rated shipping box, for six 1-liter NOWPak bottles
NA-33	Torque wrench, 3/8" drive, with 3/8" to 1/2" drive adapter
NA-03-NCD	Torque tool, NCD-AA-AA dispense connector, 1/2" square drive

LIMITED WARRANTY

Entegris' products are subject to the Entegris, Inc. General Limited Warranty. To view and print this information, visit entegris.com and select the Legal & Trademark Notices link in the footer. Entegris does not warranty any failure in the case of customers using unapproved foreign components.

FOR MORE INFORMATION

Please call your Regional Customer Service Center today to learn what Entegris can do for you. Visit entegris.com and select the Contact Us link to find the customer service center nearest you.

TERMS AND CONDITIONS OF SALE

All purchases are subject to Entegris' Terms and Conditions of Sale. To view and print this information, visit entegris.com and select the Terms & Conditions link in the footer.



Corporate Headquarters
129 Concord Road
Billerica, MA 01821
USA

Customer Service
Tel +1 952 556 4181
Fax +1 952 556 8022
Toll Free 800 394 4083

Entegris®, the Entegris Rings Design™, Pure Advantage™, NOWPak® and PDMPak® are trademarks of Entegris, Inc.

©2016-2017 Entegris, Inc. | All rights reserved. | Printed in the USA | 7119-8252ENT-0517