

NOWPak® Canister Dispense Connector

Thread-on stainless steel connector allows pressure or pump delivery of high-viscosity materials from NOWPak liner-based canister systems with optimized flow rates

The high-viscosity dispense connector is an innovative delivery solution for high-viscosity chemical, representing Entegris' next generation connector offering. The high-viscosity connector is used together with the NOWPak® liner-based canister and its indirect pressure system.

APPLICATIONS

- Polyimide
- Liquid optically clear adhesive
- Other high-viscosity chemical
- Applications requiring high flow rates



From left: High-viscosity connector for up to 40 liter size canisters; high-viscosity connector with NCV-200-B closure for 200 liter size canisters

FEATURES & BENEFITS

- Optimizes flow rates for highly viscous materials
- Minimizes defects associated with particles and microbubbles
- Delivers large volumes of critical chemicals reliably
- Enhanced chemical compatibility performance and cleanliness
- Improved protection for moisture sensitive materials

SPECIFICATIONS

High-viscosity dispense connector

Part number	ND-HD-XALX-XXX (see ordering information on page 5 for part number configurations)	
Tube connections	Liquid out fittings	3/4" standard flare fitting, PVDF nut supplied
	Air inlet fittings	1/4" elbow
		6 mm elbow
		1/4" straight
6 mm straight		
Dispense method	Pressure or pump	
Weight	40 liter and smaller	2.2 kg (4.9 lbs)
	200 liter	2.3 kg (5.0 lbs)
Thread type	63 mm buttress	
Performance	VYN option	Maximum operating pressure: 207 kPa (30 psig) maximum Pressure relief valve rating: 241 kPa (35 psig) maximum
	VWN option	Maximum operating pressure: 200 kPa (29 psig) maximum Pressure relief valve rating: 200 kPa (29 psig) maximum

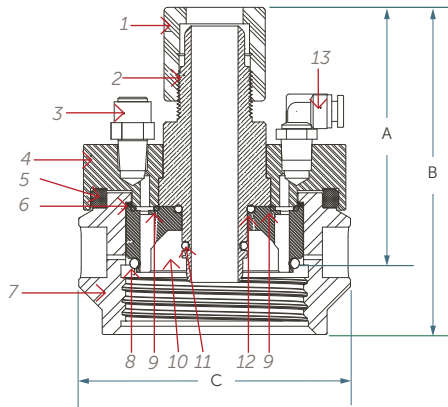
SPECIFICATIONS

High-viscosity connector

Materials of construction	Wetted	Probe	Machined 316 stainless steel
		Liquid outlet fitting	Stainless steel probe with PVDF nut (See page 5 for additional liquid outlet options that can be purchased separately.)
		O-ring seal*	Molded Chemraz®
	Nonwetted	Upper connector body	Machined, stainless steel
		Lower connector body	Machined, stainless steel
		Retainer	Machined, stainless steel
		Gas inlet fitting	Machined, stainless steel
		Bushings	Machined, polypropylene
		Cap screws	Machined, stainless steel
O-ring seals*		Molded EPDM or Chemraz	
Cleanroom bag	Polyethylene		
Manufacturing standards	Fabricated and tested in a Class 5 Cleanroom as per International Standard ISO 14644-1:1999 Cleanrooms and associated controlled environments – Part 1: Classification of air cleanliness. 100 percent pressure decay tested using high-purity nitrogen.		
Cleanliness	Connector to be free from lubricants and other extraneous foreign materials consistent with Entegris processes and procedures.		
Labeling	Each connector is labeled with the part number and serial number for traceability. Each shipping carton is labeled with the part number, purchase order number, and quantity of connectors.		
Packaging	Each connector is double bagged (heat sealed, cleanroom processed, PE inner bag; heat sealed, PE outer bag), then packaged in a corrugated shipping carton lined with PE foam.		
Shipping Information	Box quantity (minimum order quantity)	1	
	Box dimensions (L × W × H)	159 mm × 184 mm × 168 mm (6¼" × 7¼" × 6⅝")	
	Box weight (connector)	2.4 kg (5.2 lbs)	

*Note: Damage to the stainless steel probe, such as scratches or dents that are caused by mishandling, may affect the performance of the seal. Performance issues caused by mishandling are not covered under the Limited Warranty.

DIMENSIONS



High-viscosity Connector

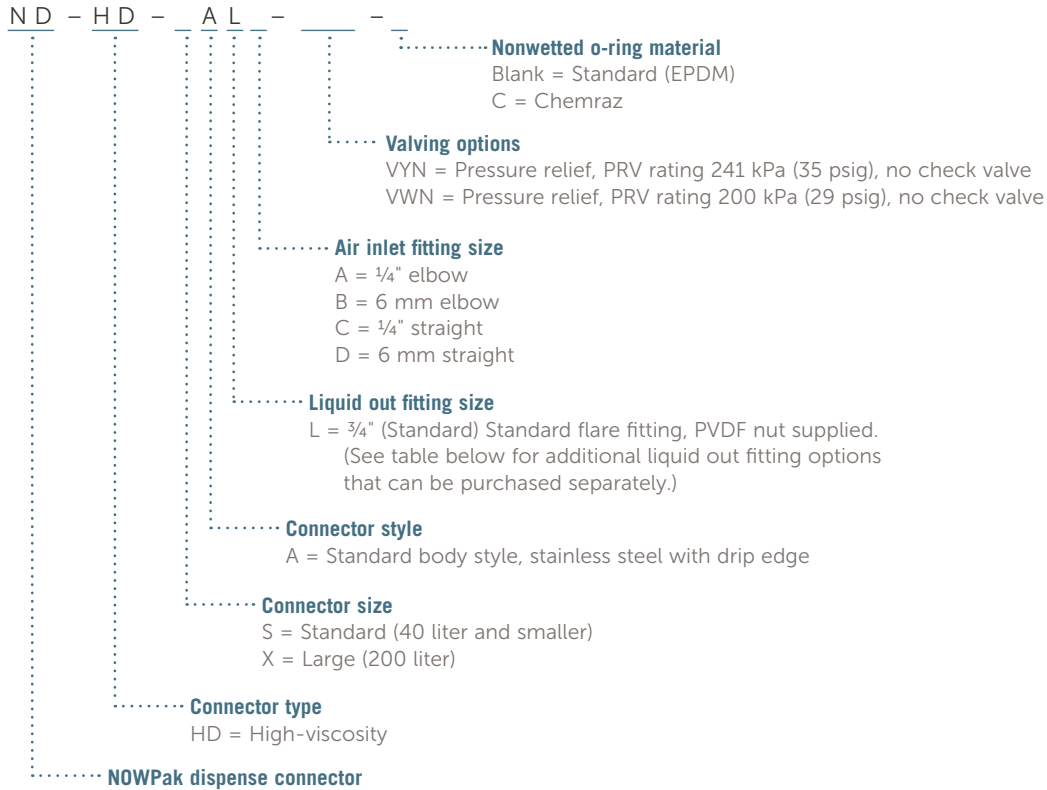
Dimensions

A	Height to top of neck	85 mm (3.4")
B	Height	110 mm (4.3")
C	Diameter	95 mm (3.8")

Item	Quantity	Description
1	1	Nut, 3/4" tube, Flaretek®, PVDF
2	1	Probe, dispense, high-viscosity, stainless steel
3	1	Valve, relief VYN option: 35 psi VWN option: 29 psi
4	1	Body, upper connector
5	1	Bushing, upper
6	1	Bushing, lower
7	1	Body, lower connector, 63 mm thread
8	1	O-ring, can seal, option of EPDM or Chemraz
9	2	O-ring, option of EPDM or Chemraz
10	1	Retainer, connector
11	1	Primary seal, o-ring, liquid seal, Chemraz
12	1	O-ring, Chemraz
13	1	Gas inlet fitting per configuration table
14	1	Dowel (not shown)
15	4	Screw, socket head cap (not shown)
16	4	Washer SS #8 lockwasher (not shown)

ORDERING INFORMATION

High-viscosity Connector: part number



Liquid out fitting options (available for purchase separately)

Part number	Liquid out fitting size
E16-12TFN-1	3/4" to 1" Entegris Flaretek elbow
SU12T-16FN-1	3/4" to 1" Entegris Flaretek straight
E12-12TFN-1	3/4" to 3/4" Entegris Flaretek elbow
E8-12TFN-1	3/4" Spacesaver to 1/2" Entegris Flaretek elbow (reduces from 3/4" to 1/2")
SU12T-8FN-1	3/4" to 1/2" Entegris Flaretek straight

Note: High-viscosity connectors require the use of specifically designed high-viscosity diptubes. See the Connector Accessories section on page 6 for part numbers. Separate datasheets are available for closures and high-viscosity diptubes.

ORDERING INFORMATION (CONTINUED)

Connector accessories

Part number	Accessory	Description
NDTV-P8	PE diptube	Diptube, high-viscosity, HDPE, 19 L
NDTV-P40		Diptube, high-viscosity, HDPE, 40 L
NDTV-P200		Diptube, high-viscosity, HDPE, 200 L
NDTV-T8	FEP diptube	Diptube, high-viscosity, FEP, 19 L
NDTV-T40		Diptube, high-viscosity, FEP, 40 L
NDTV-T200		Diptube, high-viscosity, FEP, 200 L
NL-019-NS50A-1	Replacement liner (liner only)	Liner, NS50, 19 L
NL-040-NS50A-1		Liner, NS50, 40 L
NL-200-NS60H-1		Liner, NS60, EPDM o-ring, 200 L
NL-200-NS60J-1		Liner, NS60, TFE/P o-ring, 200 L
NLVP-019-NS50A-1	Replacement liner and diptube	Liner, NS50, with high-viscosity PE diptube, 19 L
NLVP-040-NS50A-1		Liner, NS50, with high-viscosity PE diptube, 40 L
NLVP-200-NS60H-1		Liner, NS60, with high-viscosity PE diptube, EPDM o-ring, 200 L
NLVP-200-NS60J-1		Liner, NS60, with high-viscosity PE diptube, TFE/P o-ring, 200 L
NLVT-019-NS50A-1		Liner, NS50, with high-viscosity FEP diptube, 19 L
NLVT-040-NS50A-1		Liner, NS50, with high-viscosity FEP diptube, 40 L
NLVT-200-NS60H-1		Liner, NS60, with high-viscosity FEP diptube, EPDM o-ring, 200 L
NLVT-200-NS60G-1		Liner, NS60, with high-viscosity FEP diptube, TFE/P o-ring, 200 L
NA-124-A (¼" NPT output)	Cleaning fixture	Cleaning fixtures attach to the connector and provide ports for flushing cleaning solvent through the connector.
NA-124-B (1" NPT output)		
NA-124-A-E		Cleaning fixture kit with adapter for 40 L and smaller sizes. Contains 1 NA-124-A cleaning fixture and 1 NA-124-E adapter for 40-liter and smaller sizes.
NA-124-E		Adapter for NA-124-A or NA-124-B cleaning fixture for 40-liter and smaller sizes (adapter only).
NC-W1	Cap/closures	Breakseal closure, white LLDPE, 63 mm thread for 40-liter and smaller canisters.
NCV-200-B		Stainless steel closure body (bottom), 63 mm thread for 200-liter canister. The closure body threads directly onto 200-liter canisters. The NCV-200-T shipping cap threads onto the top of the NCV-200-B. The ND-HD high-viscosity connector threads onto the NCV-200-B for 200-liter size canisters.
NCV-200-T		Shipping cap (top), stainless steel, for 200-liter canister (threads onto NCV-200-B closure).



Connector replacement parts

Part number	Description	Quantity	Reference item number See page 3, Dimensions section	Recommended timing for replacement*
NA-57	Replacement o-ring	1	Liquid seal, reference item 11**, Chemraz	6 months
NA-58	Replacement o-ring	1	Can seal, reference item 8**, EPDM	6 months
NA-59	Replacement o-ring	1	Can seal, reference item 8**, Chemraz	6 months

* The recommended o-ring replacement timing is an approximation. Actual replacement timing can be impacted by factors such as the chemical used, environmental conditions, and care and handling of the product.

** See page 4 for table of reference items.

LIMITED WARRANTY

Entegris' products are subject to the Entegris, Inc. General Limited Warranty. To view and print this information, visit entegris.com and select the [Legal & Trademark Notices](#) link in the footer. Entegris does not warranty any failure in the case of customers using unapproved foreign components.

FOR MORE INFORMATION

Please call your Regional Customer Service Center today to learn what Entegris can do for you. Visit entegris.com and select the [Contact Us](#) link to find the customer service center nearest you.

TERMS AND CONDITIONS OF SALE

All purchases are subject to Entegris' Terms and Conditions of Sale. To view and print this information, visit entegris.com and select the [Terms & Conditions](#) link in the footer.



Corporate Headquarters
129 Concord Road
Billerica, MA 01821
USA

Customer Service
Tel +1 952 556 4181
Fax +1 952 556 8022
Toll Free 800 394 4083

Entegris®, the Entegris Rings Design®, and other product names are trademarks of Entegris, Inc. as listed on entegris.com/trademarks. All third-party product names, logos, and company names are trademarks or registered trademarks of their respective owners. Use of them does not imply any affiliation, sponsorship, or endorsement by the trademark owner.

©2016-2019 Entegris, Inc. | All rights reserved. | Printed in the USA | 7124-8207ENT-0319