

NOWPak® System Replacement Polyethylene Barrier Liner

*Pre-cleaned, two-ply, polyethylene
barrier N500 liner*

The N500 replacement liner is designed for use with the NOWPak® liner-based canister system. The liner provides ultraclean chemical dispensing without direct contact between the chemical and drive gas. Replacement liners are available in 4, 10, 18, 19, 40, and 200 liter sizes.

APPLICATIONS

- NOWPak systems are designed for applications that require containment and safe transport of liquids that have high-purity requirements and/or are sensitive to the environment.



Polyethylene barrier N500 replacement liner

FEATURES & BENEFITS

- Liners are particle tested and certified to maintain purity requirements of customers' chemicals
- Liner-based system minimizes risk of microbubbles
- Collapsible liner system helps maximize chemical utilization
- Liners are pre-folded to ensure easy insertion into the canister
- Liners are easily removed for disposal, resulting in minimal waste

SPECIFICATIONS

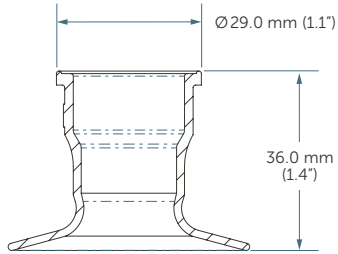
Materials of construction	Film	PE with barrier film, translucent color
	Fitment	Injection molded HDPE
	Fitment adapter (200-liter liners)	Injection molded HDPE
	Fitment adapter o-ring (200-liter liners)	Option F* – EPDM Option K* – Semi-perfluorinated
	Retainer	Injection molded HDPE
	Temporary cap	Injection molded, red pigmented LDPE
	Liner sleeve	PE
Manufacturing standards	Fabricated and tested in a Class 5 Cleanroom as per International Standard ISO 14644-1:1999 Cleanrooms and associated controlled environments – Part 1: Classification of air cleanliness.	
	Film and heat-seal defect detection	Light table visual inspection: Inspection frequency 100%.
	Liner leak detection	Pressure decay tested: Test frequency 100%. Pass/fail test.
	Weld integrity verification	Pressurized burst tested: Test frequency 1:100. Tensile weld (film/film) strength tested: Test frequency 1:100. Fitment weld (fitment/film) strength tested: Test frequency 1:100. Fitment push through tested: Pass/fail test. Test frequency 1:100.
Particle count verification	Particle testing with ultrapure DI water: Test frequency 1:50.	
Cleanliness	Product is not to exceed 10 counts/mL at ≥ 300 nm in ultrapure DI water. A Certificate of Analysis stating batch-specific particle count data is available for each shipment of product.	

* See Unique Features table on page 5.

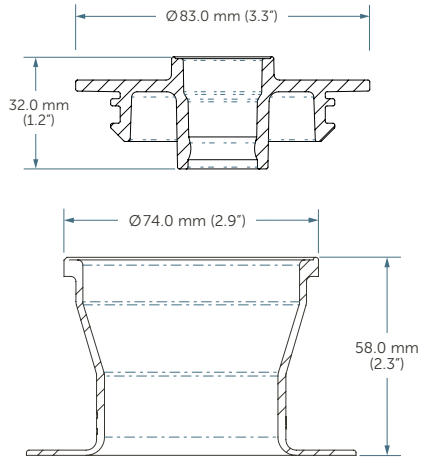
DIMENSIONS

Fitment

¾ Fitment (Hardstop)

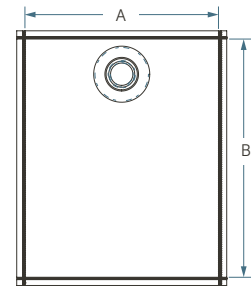


2" Fitment and Adapter (Hardstop)



PART NUMBER		LINER DIMENSIONS		
Liner	Canister*	Size	A	B
NL-004-N500C-1-KA	NO-04 NO-04-63*	4 L	406 mm (16.0")	298 mm (11.8")
NL-010-N500C-1-KA	NO-05 NO-05-63*	10 L	508 mm (20.0")	375 mm (14.8")
NL-018-N500C-1-KA	NO-09	18 L	724 mm (28.5")	381 mm (15.0")
NL-019-N500C-1-KA	NO-07* NO-08 NO-08-63* NO-08A-63*	19 L	679 mm (26.8")	489 mm (19.3")
NL-019-N500D-1-KA NL-019-N500F-1-KA	NO-10	19 L	597 mm (23.5")	489 mm (19.3")
NL-040-N500D-1-KA	NO-40 NO-40-63*	40 L	927 mm (36.5")	571 mm (22.5")
NL-040-N500G-1-KA	NO-40 NO-40-63*	40 L	857 mm (33.8")	552 mm (21.8")
NL-200-N500F-1-KA NL-200-N500K-1-KA	NO-200	200 L	1391 mm (54.8")	991 mm (39.0")

Liner



Notes:

1. Unless otherwise indicated, all numeric values are nominal
2. All dimensions are measured inside to inside of weld
3. A and B dimensions are ± 6 mm (0.25")
4. 200 liter liner is double top welded

*Canisters with modified buttress 63 mm neck thread

SHIPPING INFORMATION

Labeling Each liner is labeled with the batch number and part number. Each carton box and cleanroom bag is labeled with the part number, batch number(s), and quantity of liners.

Packaging Each liner is capped, folded, and inserted into a cleanroom sleeve (heat sealed), then bulk packaged in a corrugated carton, lined with a PE cleanroom bag. Retainers are packaged in cleanroom conditions and shipped in the same quantity as the liner.

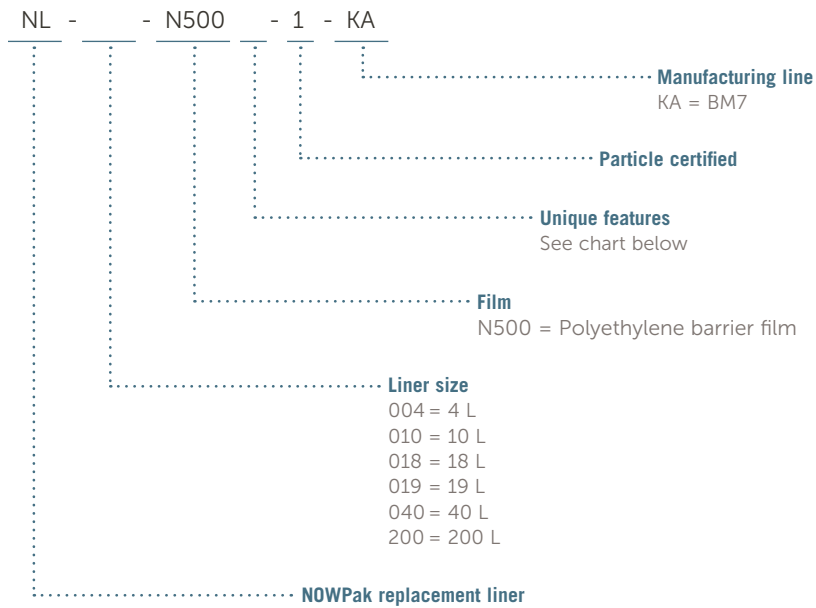
4 to 40 liter size: packaged 50 per carton.
200 liter size: packaged 15 per carton.

Part number	Size	Box quantity (minimum order quantity)	Skid quantity (economic order quantity)	Box dimensions (L x W x H)
NL-004-N500C-1-KA	4 L	50	1,500 (30 boxes of 50)	550 mm x 430 mm x 415 mm 21.7" x 16.9" x 16.3"
NL-010-N500C-1-KA	10 L	50	1,500 (30 boxes of 50)	550 mm x 430 mm x 415 mm 21.7" x 16.9" x 16.3"
NL-018-N500C-1-KA	18 L	50	1,500 (30 boxes of 50)	550 mm x 430 mm x 415 mm 21.7" x 16.9" x 16.3"
NL-019-N500C-1-KA NL-019-N500D-1-KA NL-019-N500F-1-KA	19 L	50	1,500 (30 boxes of 50)	550 mm x 430 mm x 415 mm 21.7" x 16.9" x 16.3"
NL-040-N500D-1-KA NL-040-N500G-1-KA	40 L	50	600 (12 boxes of 50)	540 mm x 540 mm x 480 mm 21.3" x 21.3" x 18.9"
NL-200-N500F-1-KA NL-200-N500K-1-KA	200 L	15	180 (12 boxes of 15)	890 mm x 710 mm x 305 mm 35.0" x 28.0" x 12.0"

Note: Unless otherwise indicated, all numeric values are nominal.

ORDERING INFORMATION

NOWPak Liner-based Canister System Replacement Liner: part number



Unique features

Unique feature code	Description	Available on liner sizes
C	¾" fitment (hardstop)	4, 10, 18, and 19 liter
D	Alternate liner design with ¾" fitment (hardstop)	19 and 40 liter
F	2" fitment with fitment adapter (hardstop) and EPDM o-ring	200 liter
G	¾" fitment (hardstop) with back Z fold	40 liter
K	2" fitment with fitment adapter (hardstop) and semi-perfluorinated o-ring, double Z fold	200 liter

ACCESSORIES

Part number	Description
NA-60	Liner insertion tool for 4 to 40 liter liners
NA-60-200	Liner insertion tool for 200 liter liners
NA-06	Liner removal tool for 4 to 40 liter liners
NA-17	Liner removal and drain tool for 4 to 40 liter liners
DA-04	Liner removal tool for 200 liter liners
NA-13	Diptube removal tool for 4 to 200 liter liners
NA-93	Diptube removal tool for 4 to 200 liter liners with pull handle
NA-07	Liner disposal plug, bag of 100
NF-01-FR	Automatic bag inflation fixture for 4 to 20 liter liners
NF-40-FR	Automatic bag inflation fixture for 40 liter liners
NF-180/200-FR	Automatic bag inflation fixture for 200 liter liners
NA-41	Manual bag inflation connector for 4 to 20 liter liners, 63 mm buttress thread
NA-41-8990	Manual bag inflation connector for 4 to 20 liter liners, 2.5-12 UN thread

LIMITED WARRANTY

Entegris' products are subject to the Entegris, Inc. General Limited Warranty. To view and print this information, visit entegris.com and select the Legal & Trademark Notices link in the footer. Entegris does not warranty any failure in the case of customers using unapproved foreign components.

FOR MORE INFORMATION

Please call your Regional Customer Service Center today to learn what Entegris can do for you. Visit entegris.com and select the Contact Us link to find the customer service center nearest you.

TERMS AND CONDITIONS OF SALE

All purchases are subject to Entegris' Terms and Conditions of Sale. To view and print this information, visit entegris.com and select the Terms & Conditions link in the footer.



Corporate Headquarters
129 Concord Road
Billerica, MA 01821
USA

Customer Service
Tel +1 952 556 4181
Fax +1 952 556 8022
Toll Free 800 394 4083

Entegris®, the Entegris Rings Design™, Pure Advantage™, and other product names are trademarks of Entegris, Inc. as listed on entegris.com/trademarks. All third-party product names, logos, and company names are trademarks or registered trademarks of their respective owners. Use of them does not imply any affiliation, sponsorship, or endorsement by the trademark owner.

©2018 Entegris, Inc. | All rights reserved. | Printed in the USA | 7124-8477ENT-0218