

# Pharmsteri™ II GHC PES Liquid Capsule Filter

*Delivers superior throughput for broad challenging feed streams while minimize product loss in sterile filtration*

As biological manufacturing rapidly increases in capacity, end users are challenged to purify a diverse array of new biologics such as monoclonals, antibody-drug conjugates, and new modalities in gene therapies in a risk-free and economical environment. Entegris is a leading expert in controlling particles and impurities and we are leveraging our extensive knowledge in purity manufacturing for strict semiconductor applications into the life sciences market.

Pharmsteri™ II GHC (gamma, high capacity) PES capsule filters are made of 0.45+0.22 dual-layer hydrophilic polyethersulfone (PES) membranes with highly asymmetric morphology, and special designed core and shell with high-grade, gamma-stable polypropylene (PP) to minimize upstream hold up volume.

Various single use capsules sizes from disc to 10" allow end users to perform lab scale scalability study and easily scale up to commercial manufacturing. Different connector types facilitate assembly at either point of use or pre-assembled in sterile tube sets.

## APPLICATIONS

- Bioburden or sterile filtration for various process fluids
- Cell culture media and additives
- Process intermediates in mAb, vaccines, etc.
- Column or downstream unit protection
- High concentration buffers
- Bulk drug substances
- Protein solutions or formulations
- Other high fouling fluids



*Gamma irradiation stable up to 45 kGy*

## FEATURES & BENEFITS

<b>Best-in-class throughput or capacity</b>	Dual layer and highly asymmetric membrane minimize pressure build-up while processing large volume fluids
<b>Low hold-up volume</b>	Structure design helps minimize dead zone which can cause loss of high value products
<b>Sterilizing grade meets Bacterial Challenge Test (ASTM F838)</b>	Ensures that microorganisms, such as bacteria, are removed from the fluid stream while not adversely affecting product
<b>Gamma stable and autoclavable</b>	Autoclave claims allow users the advantage of choosing to integrate buffer filters in situ to meet their own specific templates and needs
<b>Broad chemical compatibility</b>	pH 1~14, allows use in a range of chemistries including acids and bases
<b>Comprehensive validation</b>	Product has been rigorously validated to product specification and industry standards with comprehensive documentation to support compliance

## SPECIFICATIONS

		50mm Disc	3"/5"/10" In-Line Capsules	
<b>Materials</b>	Media	Polyethersulfone	Polyethersulfone	
	Support	Polypropylene	Polypropylene	
	Core, cage, end caps	Polypropylene	Polypropylene	
	O-ring	Silicone	Silicone	
<b>Sealing technology</b>		Mechanical sealing with O-ring	Thermal bonding without adhesives	
<b>Pore size</b>		0.45+0.22 µm	0.45+0.22 µm	
<b>Filtration area</b>		17.3 cm <sup>2</sup>	3"	0.16 m <sup>2</sup>
			5"	0.30 m <sup>2</sup>
			10"	0.60m <sup>2</sup>
<b>Integrity</b>	Bubble point		≥3.65 bar (53 psi) air with water	
	Water Diffusion		3"	≤ 6.8 mL/min @ 40psi @ 25°C (77°F)
			5"	≤ 11 mL/min @ 40psi @ 25°C (77°F)
		10"	≤ 20.5 mL/min @ 40psi @ 25°C (77°F)	
<b>Maximum operating conditions</b>	Maximum operating pressure	80 psi (5.5 bar) @ 25°C (77°F)	80 psi (5.5 bar) @ 25°C (77°F)	
		40 psi (2.8 bar) @ 60°C (140°F)	40 psi (2.8 bar) @ 60°C (140°F)	
	Maximum differential pressure	Forward 60 psi (4.1 bar) @ 25°C (77°F)	Forward 60 psi (4.1 bar) @ 25°C (77°F)	
		Forward 30 psi (2.1 bar) @ 60°C (140°F)	Forward 30 psi (2.1 bar) @ 60°C (140°F)	
		Reverse 10 psi (0.7 bar) @ 25°C (77°F)	Reverse 10 psi (0.7 bar) @ 25°C (77°F)	
<b>Bacteria Retention</b>		Sterilizing grade membrane	>10 <sup>7</sup> CFU/cm <sup>2</sup> B. diminuta per the ASTM F838.	
<b>Multiple sterilization Cycles</b>	2 cycles of autoclave, 30 min at 130°C (266°F)			
<b>Gamma stability</b>	Gamma irradiation stable up to 45 kGy			
<b>Endotoxin releasing*</b>	<0.25 EU/mL as determined by the LAL test, meeting the requirements of USP <85>			
<b>Particulates*</b>	Particulate matter release meets the requirement of USP <788>			
<b>Non-fiber releasing</b>	Manufactured with non-fiber release materials and tested according to 21 CFR 210.3 (b) (6)			
<b>TOC*</b>	<0.5 mg/L post gamma and after a water flush, meeting the requirements of USP <643>			
<b>Conductivity*</b>	≤1.3 µS/cm post gamma and after water flush, meeting the requirements of USP <645>			
<b>Material toxicity*</b>	All components meet the requirements of the USP <87>, Biological Reactivity Test and the USP <88> Reactivity Test for Class VI Plastics			

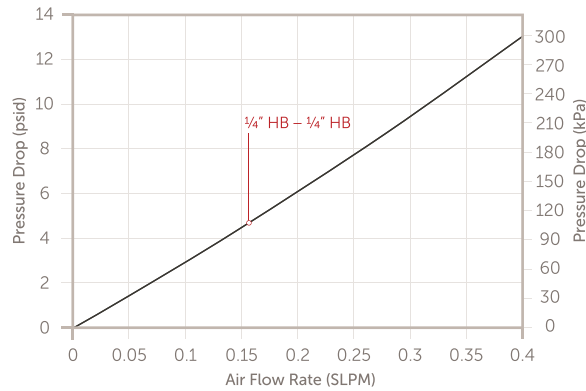
## SPECIFICATIONS

<b>Animal free</b>	Raw materials used to manufacture this product are not animal derived, meeting the EU directive for animal free CPMP EMA/410/01 and 21 CFR parts 189.5
<b>Extractables*</b>	Tested according to BioPhorum Operations Group (BPOG) guideline. Report is available upon request.
<b>Quality</b>	100% integrity tested, manufactured in accordance with ISO 9001 and ISO 13485 certified quality management system

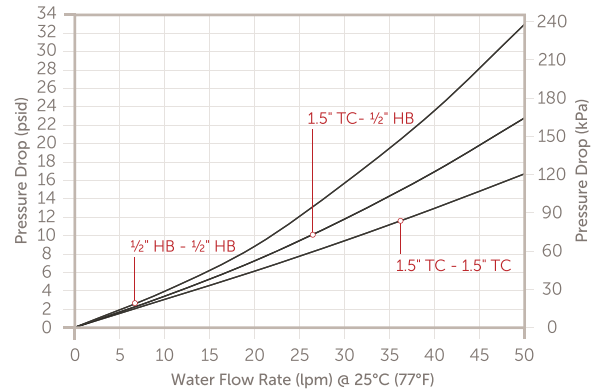
\*Test post-gamma irradiation. Refer to our validation guide for details.

## PERFORMANCE DATA

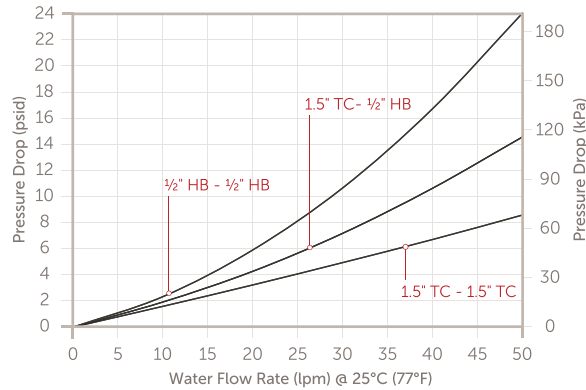
50 mm Disc



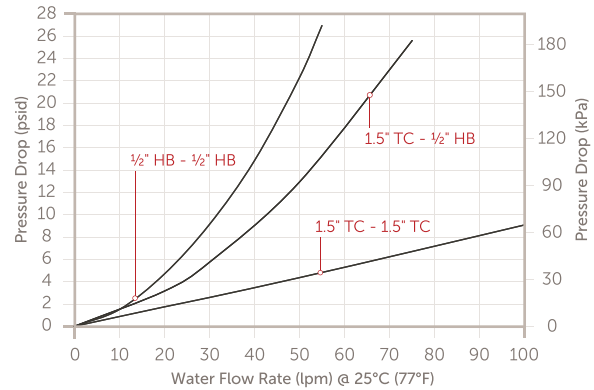
3-inch Capsules



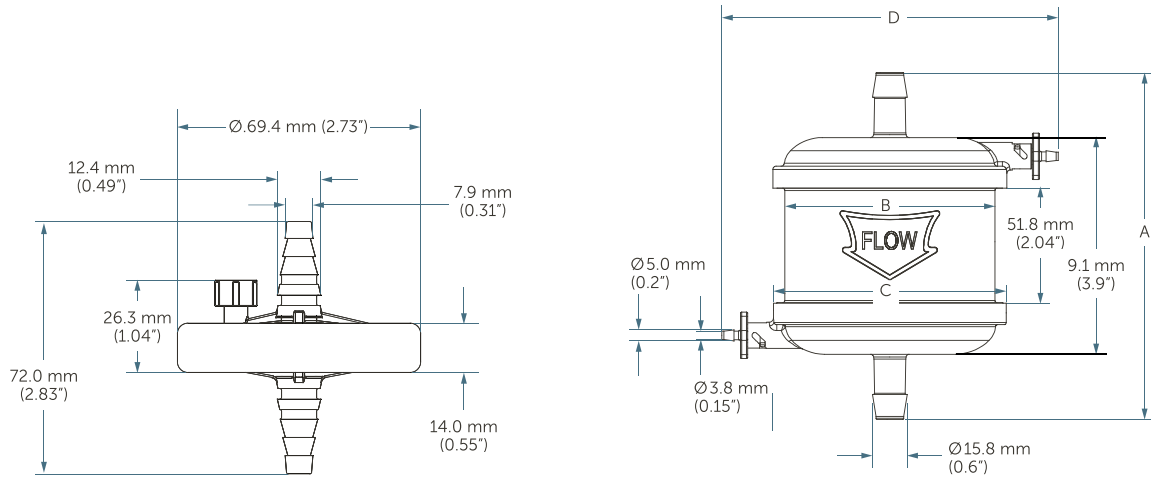
5-inch Capsules



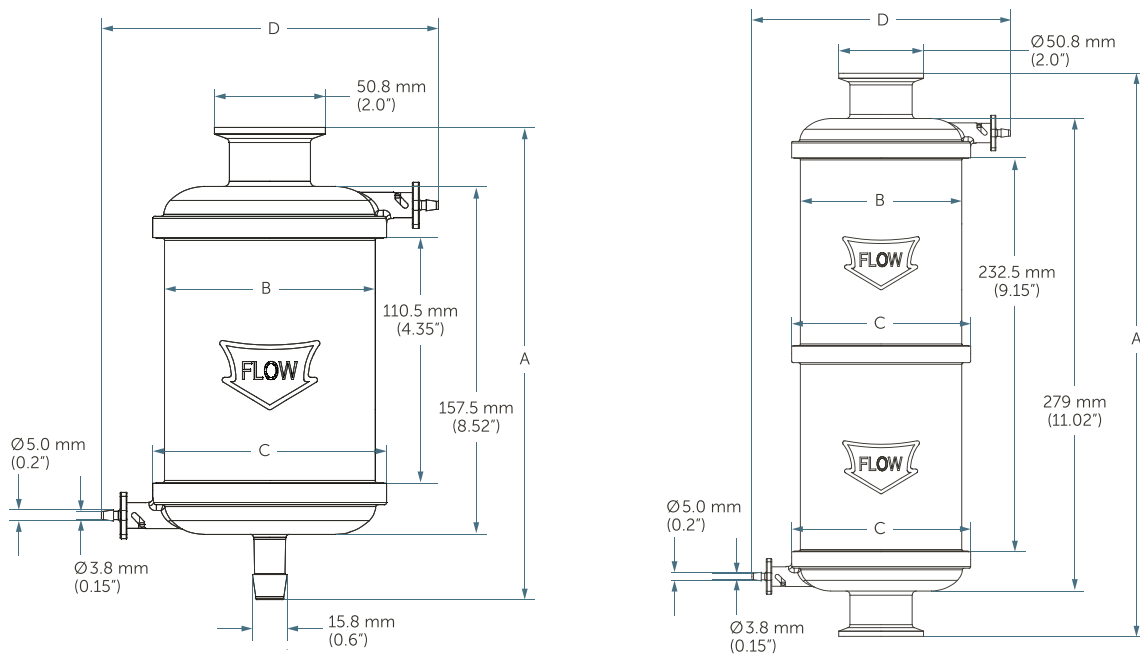
10-inch Capsules



## DIMENSIONS



Size - Connections	Total Length - A	Body Diameter - B	Min Width - C	Max Width - D
3-inch TC-TC	154.5 mm (6.08")	96.0 mm (3.78")	107.0 mm (4.21")	153.0 mm (6.02")
3-inch TC-HB	156.7 mm (6.17")	96.0 mm (3.78")	107.0 mm (4.21")	153.0 mm (6.02")
3-inch HB-HB	159.7 mm (6.29")	96.0 mm (3.78")	107.0 mm (4.21")	153.0 mm (6.02")



Size - Connections	Total Length - A	Body Diameter - B	Min Width - C	Max Width - D
5-inch TC-TC	213.2 mm (8.39")	96.0 mm (3.78")	107.0 mm (4.21")	153.0 mm (6.02")
5-inch TC-HB	216.5 mm (8.52")	96.0 mm (3.78")	107.0 mm (4.21")	153.0 mm (6.02")

## DIMENSIONS

5-inch HB-HB	219.5 mm (8.96")	96.0 mm (3.78")	107.0 mm (4.21")	153.0 mm (6.02")
10-inch TC-TC	335.5 mm (13.21")	96.0 mm (3.78")	107.0 mm (4.21")	153.0 mm (6.02")
10-inch TC-HB	339.0 mm (13.35")	96.0 mm (3.78")	107.0 mm (4.21")	153.0 mm (6.02")
10-inch HB-HB	342.0 mm (13.46")	96.0 mm (3.78")	107.0 mm (4.21")	153.0 mm (6.02")

## ORDERING INFORMATION

PART NUMBER	SIZE	INLET AND OUTLET CONNECTION	PACKAGING CONFIGURATION	VENT AND DRAIN CONNECTION
PSTSUSD042HS032	3" capsule	1/2" hose barb	Two per box	1/8" hose barb
PSTSUSD042HS051	5" capsule	1/2" hose barb	One per box	1/8" hose barb
PSTSUSD042HS101	10" capsule	1/2" hose barb	One per box	1/8" hose barb
PSTSUSD042SH003	50 mm disc	1/4" stepped hose barb	Three per box	Luer male with cap
PSTSUSD042TH032	3" capsule	1.5" sanitary TC inlet and 1/2" hose barb outlet	Two per box	1/8" hose barb
PSTSUSD042TH051	5" capsule	1.5" sanitary TC inlet and 1/2" hose barb outlet	One per box	1/8" hose barb
PSTSUSD042TH101	10" capsule	1.5" sanitary TC inlet and 1/2" hose barb outlet	One per box	1/8" hose barb
PSTSUSD042TS032	3" capsule	1.5" sanitary TC	Two per box	1/8" hose barb
PSTSUSD042TS051	5" capsule	1.5" sanitary TC	One per box	1/8" hose barb
PSTSUSD042TS101	10" capsule	1.5" sanitary TC	One per box	1/8" hose barb

Note: Pre-sterilized capsules by Gamma irradiation available, refer to part number matrix for corresponding part number or check with Entegris specialist.

#### FOR MORE INFORMATION

Please call your Regional Customer Service Center today to learn what Entegris can do for you. Visit [entegris.com](https://www.entegris.com) and select the [Contact Us](#) link to find the customer service center nearest you.

#### TERMS AND CONDITIONS OF SALE

All purchases are subject to Entegris' Terms and Conditions of Sale. To view and print this information, visit [entegris.com](https://www.entegris.com) and select the [Terms & Conditions](#) link in the footer.



Corporate Headquarters  
129 Concord  
Billerica, MA 01821  
USA

Customer Service  
Tel +1 952 556 4181  
Fax +1 952 556 8022  
Toll Free 800 394 4083

Entegris®, the Entegris Rings Design®, and other product names are trademarks of Entegris, Inc. as listed on [entegris.com/trademarks](https://www.entegris.com/trademarks). All third-party product names, logos, and company names are trademarks or registered trademarks of their respective owners. Use of them does not imply any affiliation, sponsorship, or endorsement by the trademark owner.

©2024 Entegris, Inc. | All rights reserved. | Printed in the USA | 9000-13548DSA-0724