

ErgoNOW™ Bottle System Key-coded Connector

ErgoNOW™ connectors support pressure, pressure assist, or pump dispense of chemicals with misconnect prevention and an ergonomic design for ease of use

The ErgoNOW™ dispense connector offers mechanical and electronic misconnect prevention. It is designed for use with the NOWPak® Liner-based bottle system or PDMPak® bottle system for pressurized applications. Used in conjunction with the SmartCap™ or IntelliCap™ closure, it snaps into place only when the connector and closure key codes match.



APPLICATIONS

- PL-type ErgoNOW connectors provide indirect pressure assist or pump delivery of chemical using the NOWPak liner-based bottle system.
- PD-type ErgoNOW connectors provide indirect pressure dispense using the PDMPak bottle system or NOWPak canister system.

FEATURES & BENEFITS

- Key-coded system helps prevent dispensing the wrong material
- Snap on/easy release design provides easy installation and removal of the connector
- Self-centering keyed retainer ensures perfect alignment of the connector with the SmartCap closure
- LED provides visual indication that the connector is installed correctly (for connectors with the sensor option)
- Standard pressure relief valve provides safer system operation
- Safety interlock mechanism prevents connector from accidental release during pressure dispense operation
- Sealed delivery system ensures safe chemical delivery and helps prevent external contamination

SPECIFICATIONS

Dispense method	PLXXXXXXXXXX-KEY CODE PDXXXXXXXXXXX-KEY CODE	Pump Dispense with Pressure Assist Pressure Dispense	
Operation		PL ErgoNOW Connector	PD ErgoNOW Connector
	Operating pressure	34 kPa (5.0 psig)*	103 kPa (15.0 psig)
	Pressure relief valve	48 kPa (7.0 psig)**	138 kPa (20.0 psig)**
Materials of construction	Wetted parts	Probe	PTFE
		Liquid outlet fitting	PFA
		Probe O-ring seals	Kalrez®, Chemraz®, or Perfrez®
	Nonwetted parts	Connector body	Polypropylene
		Gas inlet fitting	Stainless steel
		Gas inlet nozzle O-ring seals	EPDM, Viton®, or FKM
		Keyed retainer	Delrin®, Noryl®, Ultem® 1000, or PEEK
		Strain relief	Nylon and polypropylene (not preassembled by Entegris)
Manufacturing standards	Fabricated and tested in a Class 5 Cleanroom as per International Standard ISO 14644-1:*** Cleanrooms and associated controlled environments – Part 1: Classification of air cleanliness. 100% pressure decay tested using high-purity nitrogen.		
Cleanliness	Connector to be free from lubricants and other foreign materials consistent with Entegris' processes and procedures.		
Labeling	Each connector body is labeled with the part number, batch number for traceability, and optionally, a customer-specified chemical description as determined by the SmartCap key code. The PE inner bag is labeled with the part number, the batch number, the quantity and the date of manufacture. The carton is labeled with the part number, the batch number, the quantity and the date of manufacture.		
Packaging	Each connector is double bagged (heat-sealed, cleanroom processed, PE inner bag, heat-sealed, PE outer bag), then packaged in a corrugated shipping carton.		
Shipping information	Box quantity	1	
	Box dimensions	673 mm L x 203 mm W x 146 mm H (26.5" L x 8" W x 5.75" H)	

*Maximum, up to 2 minutes duration on the NOWPak bottle.

**Nominal cracking pressure.

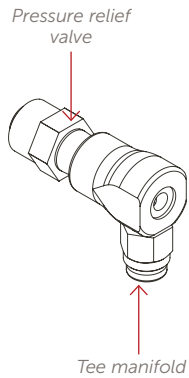
***ISO standard certification is kept up to date as necessary to remain current and effective to be able to demonstrate compliance with up-to-date ISO requirements.

Tube Connections

	OPTIONS	PFA FITTING TYPE	CONNECTS TO TUBING SIZE (OUTER DIAMETER)
Liquid outlet	A	Elbow, Super 300 Type Pillar® thinwall tube	1/4"
	B	Elbow, Flowell™ 60 series, low profile	1/4"
	C	Elbow, Entegris Flaretek® (use strain relief option T or Z)	1/4"
	D	Elbow, Super 300 Type Pillar, thinwall tube	3/8"
	E	Elbow, Super Type Pillar	3/8"
	F	Elbow, Entegris Flaretek (no strain relief)	3/8"
	J	Elbow, Flowell 60 series (no strain relief)	3/8"
	K	Elbow, Flowell 60 series, low profile	6 mm
	L	Elbow, Super Type Pillar	1/4"
	M	Elbow, Flowell 60 series, molded version (use strain relief option T or Z)	1/4"
	OPTIONS	DESCRIPTION	
Gas inlet	A	5/32" tube Quick Connect and gas fitting kit (see page 4 for additional gas fitting kit information)	
	B	1/4" tube Quick Connect (no gas fitting kit)	
	C	1/8" tube Quick Connect (no gas fitting kit)	
	D	1/4" tube Swagelok® fitting (no gas fitting kit)	
	E	1/8" FNPT thread with Quick Connect stem (no gas fitting kit)	
	F	1/8" FNPT thread (no Quick Connect stem, no gas fitting kit)	
	Z	No gas inlet fitting (only the tee fitting with PRV installed)	

Gas Inlet Fitting Options

**TEE MANIFOLD WITH
PRESSURE RELIEF VALVE
(ALL GAS FITTING TYPES)**

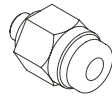


**GAS INLET
FITTING
OPTION***

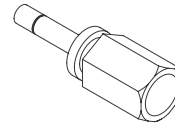
GAS INLET FITTING

**ADDITIONAL PARTS INCLUDED –
GAS FITTING KIT**

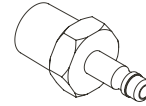
A



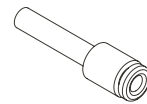
5/32" OD tube Quick Connect



Adapter fitting, 5/32" stem to 1/8" female NPT

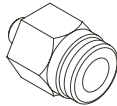


1/8" New-Machine Quick Connect stem (part number CA-00MP NPT 1/8)



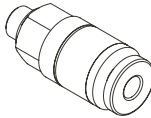
Reducer for 1/8" tube

B



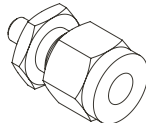
1/4" OD tube Quick Connect

C



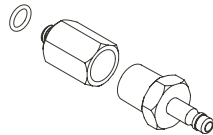
1/8" OD tube Quick Connect

D



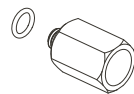
1/4" OD tube, Swagelok

E



1/8" OD FNPT thread with Quick Connect stem

F



1/8" OD FNPT thread

Z

No gas inlet fitting (only the tee fitting with PRV installed)

* Reference ordering information on page 8.

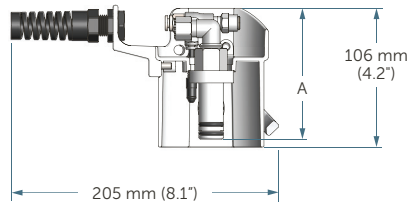
Proximity Sensor

Item	OUTPUT TYPE	
	NPN	PNP
Operation mode	Normally open	Normally open
Supply voltage	12-24 VDC (Voltage limit including ripple 10-38 VDC)	12-24 VDC (Voltage limit including ripple 10-38 VDC)
Maximum load current	200 mA	200 mA
Current consumption (no load)	10 mA (3 mA typical)	10 mA (3 mA typical)
Wire gauge	24 AWG	24 AWG
PVC cable configuration	Brown = positive supply voltage Blue = negative supply voltage Black = signal lead	Brown = positive supply voltage Blue = negative supply voltage Black = signal lead
Connector options	Tyco® Electronics (formerly AMP) connector, Part Numbers 4-1473562-3 (connector) and 5-1473571-3 (junction box) Molex® connector, Part Number 50-57-9403 No connector	No connector
CE compliant	Yes	Yes

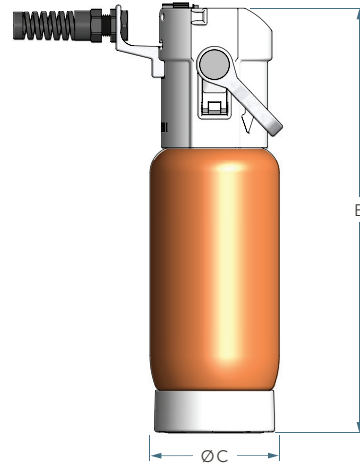
DIMENSIONS

PD (Pressure Dispense) Connector

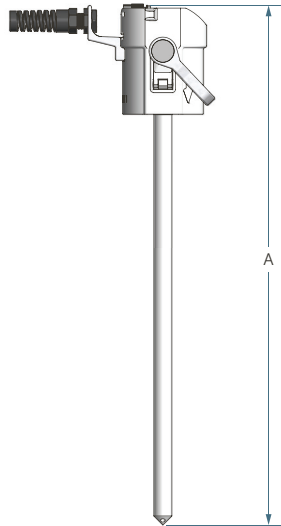
Side View Probe Size 00



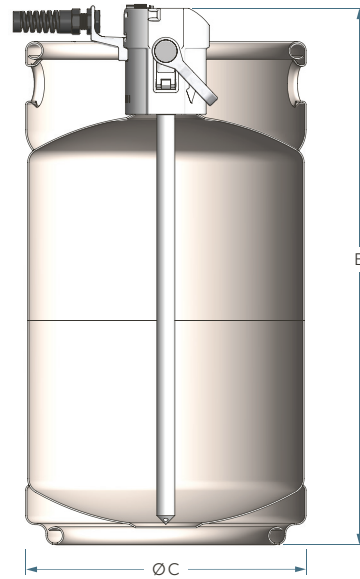
ErgoNOW Connector on a 1-liter PDMPak Bottle



Side View Probe Sizes 04 and 20



ErgoNOW Connector on a 20-liter NOWPak Canister



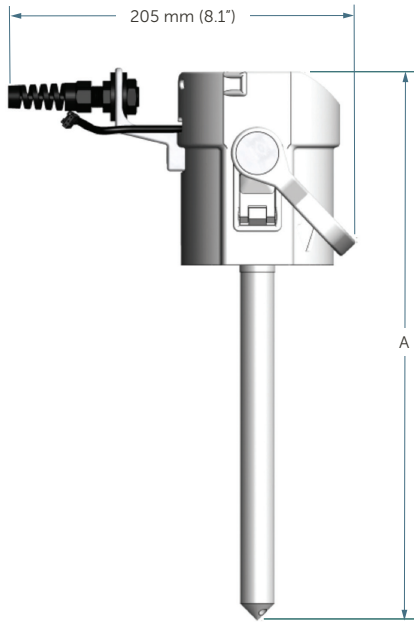
Connector type	Container	Probe size option	Container size	Dimension A height (top of connector to bottom of probe)	Dimension B height (top of connector to bottom of container)	Dimension C width (container diameter)
PD (pressure dispense)	PDMPak bottle	00	1 L	100 mm (4.0")	324 mm (12.8")	99 mm (3.9")
		04	4 L	347 mm (13.6")	368 mm (14.5")	175 mm (6.9")
	Canister (Modified buttress 63 mm thread)	20	20 L	521 mm (20.5")	539 mm (21.2")	282 mm (11.1")

Note: Unless otherwise indicated, all numeric values are nominal.

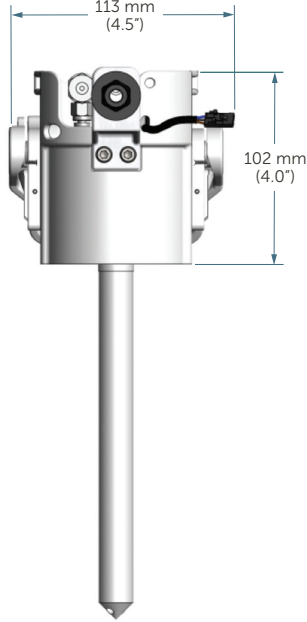
DIMENSIONS

PL (Pump Dispense) Connector

Side View



Front View



ErgoNOW Connector on a 1-liter NOWPak Bottle



Connector type	Container	Probe size option	Container size	Dimension A height (top of connector to bottom of probe)	Dimension B height (top of connector to bottom of bottle)	Dimension C width (container diameter)
PL (pump dispense)	NOWPak bottle	01	1 L	291 mm (11.5")	304 mm (12.0")	99 mm (3.9")
		01	2.5 L	291 mm (11.5")	303 mm (11.9")	149 mm (5.9")
		04	4 L	320 mm (12.6")	332 mm (13.1")	175 mm (6.9")
		10	10 L	401 mm (15.8")	412 mm (16.2")	230 mm (9.1")
		20	20 L	459 mm (18.1")	474 mm (18.7")	304 mm (12.0")

Note: Unless otherwise indicated, all numeric values are nominal.

ORDERING INFORMATION

ErgoNOW Connector: part number

P

Key code

Contact Entegris to obtain customer-specific key code

Strain relief options

- A = Standard strain relief
- C = NA-118 strain relief
- T = Tall strain relief (for use with liquid out options C or M)
- Y = Short strain relief
- Z = No strain relief

Keyed retainer material

- 2 = Delrin
- 3 = Noryl
- 4 = Ultem 1000
- 5 = PEEK

Gas fitting options*

- A = 3/32" OD tube Quick Connect and gas fitting kit (includes gas fitting kit)
- B = 1/4" OD tube Quick Connect (no gas fitting kit)
- C = 1/8" OD tube Quick Connect (no gas fitting kit)
- D = 1/4" OD tube Swagelok fitting (no gas fitting kit)
- E = 1/8" OD FNPT thread with Quick Connect stem (no gas fitting kit)
- F = 1/8" OD FNPT thread (no Quick Connect stem, no gas fitting kit)
- Z = No gas inlet fitting (only the tee fitting with PRV installed)

Proximity sensor type/length/connector options

- A1 = NPN, normally open sensor, 150 mm (6") long, Tyco Electronics Connector
- M1 = NPN, normally open sensor, 150 mm (6") long, Molex connector
- RF = RFID antenna
- UU = NPN, normally open sensor, 6 m (19.68') long, no connector
- VV = PNP, normally open sensor, 5 m (16.4") long, no connector
- ZZ = No sensor (black PE plug)

Liquid out fitting options

- A = Elbow, Super 300 Type Pillar thinwall tube, 3/8" x 1/4", PFA (Includes insert sleeve for 1/4" non-thinwall tube)
- B = Elbow, Flowell 60 series, 3/8" x 1/4", low profile, PFA
- C = Elbow, Entegris Flaretek, 3/8" x 1/4", PFA (use strain relief option T or Z)
- D = Elbow, Super 300 Type Pillar, 3/8" x 3/8", PFA
- E = Elbow, Super Type Pillar, 3/8" x 3/8", PFA
- F = Elbow, Entegris Flaretek, 3/8" x 3/8", PFA (use strain relief option Z)
- J = Elbow, Flowell 60 series, 3/8" x 3/8", PFA (use strain relief option Z)
- K = Elbow, Flowell 60 series, 3/8" x 6 mm, low profile, PFA
- L = Elbow, Super Type Pillar, 3/8" x 1/4", PFA
- M = Elbow, Flowell 60 series, 3/8" x 1/4", PFA, molded version (use strain relief option T or Z)

Probe O-rings

- K = Kalrez
- C = Chemraz
- P = Perfrez

Probe size options

- 00 = Short probe (PD only)
- 01 = 1 L to 2.5 L (PL only)
- 04 = 4 L
- 10 = 10 L (PL only)
- 20 = 20 L

Connector body

- D = Pressure dispense
- L = Pump dispense with pressure assist

Connector

- P = ErgoNOW Connector

*See page 4 for additional gas fitting information.

ErgoNOW accessories and replacement parts:

Part number	Description	Part number	Description
PA-12-XXYYZZ	Kit, retainer only, Delrin	NA-117-AA*	Upgrade kit, converts SmartProbe to ErgoNOW connector with gas fitting option A (see pages 3-4 for gas fitting options) and strain relief
PA-13-XXYYZZ	Kit, retainer only, Noryl	NA-117-EA*	Upgrade kit, converts SmartProbe to ErgoNOW connector with gas fitting option E (see pages 3-4 for gas fitting options) and strain relief
PA-14-XXYYZZ	Kit, retainer only, Ultem 1000	NA-117-FA*	Upgrade kit, converts SmartProbe to ErgoNOW connector with gas fitting option F (see pages 3-4 for gas fitting options) and strain relief
PA-15-XXYYZZ	Kit, retainer only, PEEK	PA-09-AX	Gas inlet fitting assembly option A, for ErgoNOW connector
LKR-AA-XXYYZZ	Kit, keyed retainer, Delrin (contains keyed retainer, hardware, retaining clip, and nozzle O-ring)	PA-06	Kit, Kalrez O-ring, quantity of 2
NA-47	SmartCap and IntelliCap tear tab removal tool	400765-C	Gas fitting component, stainless steel bulkhead adaptor fitting for 1/8", New-Machine, cleaned
NA-47-SS	SmartCap and IntelliCap tear tab removal tool, stainless steel	401209-C	Replacement, stainless steel shouldered nozzle
NA-27	O-ring removal tool kit		
NA-51-A-XXYYZZ	Torque tool for SmartCap with keyed insert. Contains NA-51 torque tool body, and NA-51-XXYYZZ keyed insert; NA-51 and NA-51-XXYYZZ are also available for purchase separately		
NA-117*	Upgrade kit, converts SmartProbe to ErgoNOW connector; does not include gas inlet or strain relief		

* Note: When upgrading a SmartProbe connector to an ErgoNOW connector, both the NA-117 upgrade kit of choice and an ErgoNOW replacement keyed retainer must be ordered. The ErgoNOW PA-12-XXYYZZ (Delrin), PA-13-XXYYZZ (Noryl), or PA-14-XXYYZZ (Ultem 1000) keyed retainer should be ordered to match the key code of the original SmartProbe connector or intended chemistry. SmartProbe and ErgoNOW keyed retainers are not interchangeable.

FOR MORE INFORMATION

Please call your Regional Customer Service Center today to learn what Entegris can do for you. Visit entegris.com and select the [Contact Us](#) link to find the customer service center nearest you.

TERMS AND CONDITIONS OF SALE

All purchases are subject to Entegris' Terms and Conditions of Sale. To view and print this information, visit entegris.com and select the [Terms & Conditions](#) link in the footer.



Corporate Headquarters
 129 Concord Road
 Billerica, MA 01821
 USA

Customer Service
 Tel +1 952 556 4181
 Fax +1 952 556 8022
 Toll Free 800 394 4083

Entegris®, the Entegris Rings Design®, and other product names are trademarks of Entegris, Inc. as listed on entegris.com/trademarks. All third-party product names, logos, and company names are trademarks or registered trademarks of their respective owners. Use of them does not imply any affiliation, sponsorship, or endorsement by the trademark owner.

©2016-2025 Entegris, Inc. | All rights reserved. | Printed in the USA | 7119-8148ENT-0125