

Rigid Outer Containment Totes

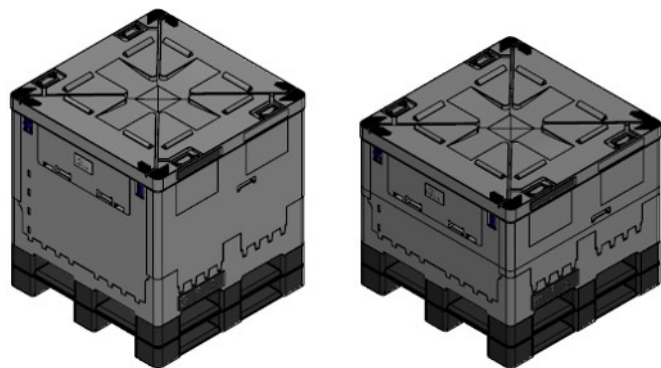
Complete solution for shipping and storage of liquids

ALLpaQ containers are rigid plastic units specifically engineered for the storage and transportation of large-volume liquids. Constructed by ALLpaQ Packaging Group, these containers serve as a complete solution for shipping and storage of liquids. Carefully designed to meet Entegris customers' storage and shipping needs, these bins offer unparalleled functionality and reliability.



APPLICATIONS

- Large-volume liquid storage
- Intra-facility transport
- Inter-facility transport
- The ALLpaQ Genesis tote is the premier option for shipping and storing large volume process liquids.
- The ALLpaQ Cleanroom bin is identical in size, but is offered for particle-sensitive environments.



1000 L (left) and 600 L (right)

FEATURES & BENEFITS

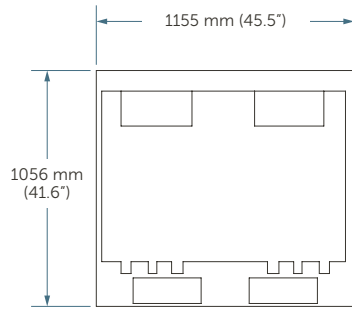
ALLpaQ containers have a variety of properties perfectly suited for transporting large-volume liquids in the biopharmaceutical industry.

Quality construction and robust design	Enables containers to be used multiple times and with ALLpaQ support for repairing damaged bins, ensures longevity and cost effectiveness.
Support for repairing damaged bins	Extends the lifespan of the containers, providing additional cost effectiveness
Collapsible walls and stackable design	Enables bins to conveniently fold down allowing for compact storage when not in use. Maximizes space efficiency and storage convenience both when empty and when full.
Polypropylene bins	Designed for easy cleaning with a cleanroom option available for customers who require minimal particulate generation.
Pallet-sized bins	Enable easy movement by pallet jack or forklift allowing the same cart to be used for both bin volume sizes providing convenience and flexibility.

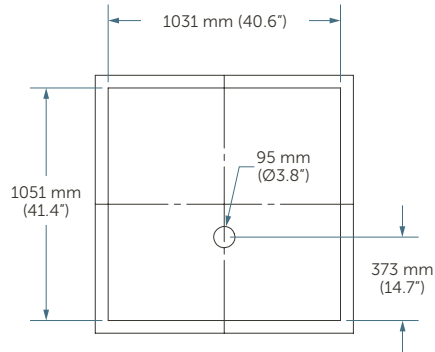
DIMENSIONS

600 L Collapsible Tote – FSF05607.01

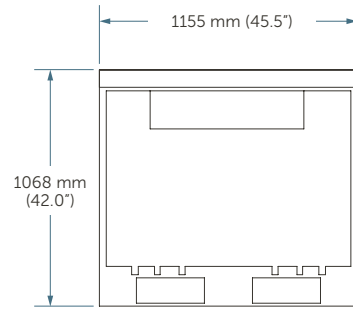
Side View Without Lid



Top View Without Lid

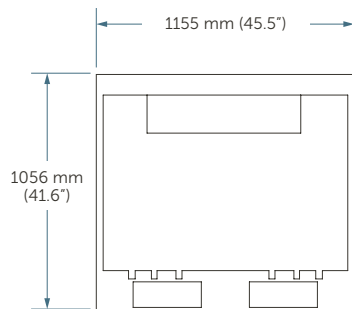


Side View With Lid

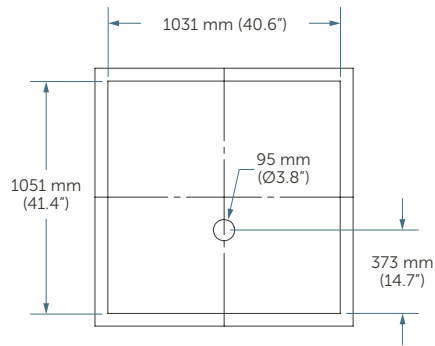


600 L Cleanroom Tote – FSF05608.01

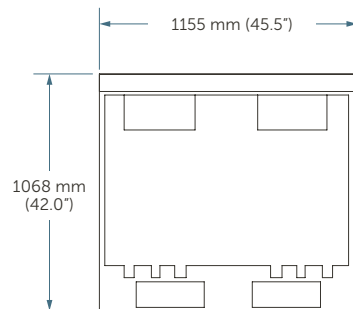
Side View Without Lid



Top View Without Lid



Side View With Lid



600 L Bottom dispense

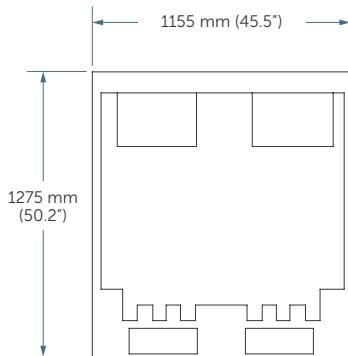
Part number	FSF05607.01	FSF05608.01
Description	600 L ALLpaQ Genesis	600 L ALLpaQ Cleanroom
Outside dimensions	1155 × 1155 × 1068 (45.5" × 45.5" × 42.1") LWH	1155 × 1155 × 1068 (45.5" × 45.5" × 42.1") LWH
Inside dimensions	1031 × 1051 × 715 (40.6" × 41.4" × 28.2")	1031 × 1051 × 715 (40.6" × 41.4" × 28.2")
Collapsed height	616 (24.25")	616 (24.25")
Tare weight	103.5 KG	103.5 KG
Max stack (empty)	4	4
Max stack (full)	2	2
Storage temperature	Ambient	Ambient

Contact your Entegris account manager for more information on how these tanks can optimize your process.

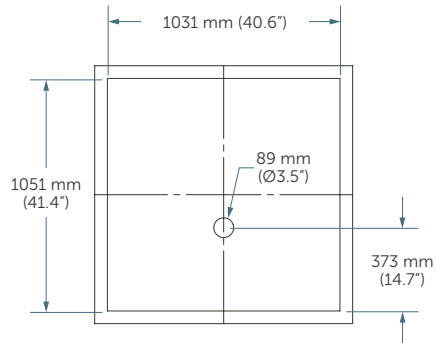
DIMENSIONS

1000 L Collapsible Tote – FSF05604.01

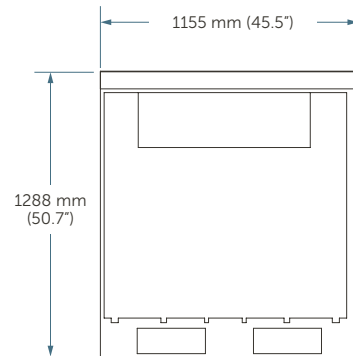
Side View Without Lid



Top View Without Lid

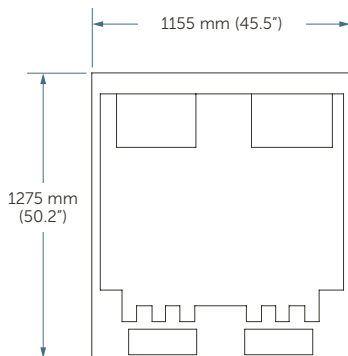


Side View With Lid

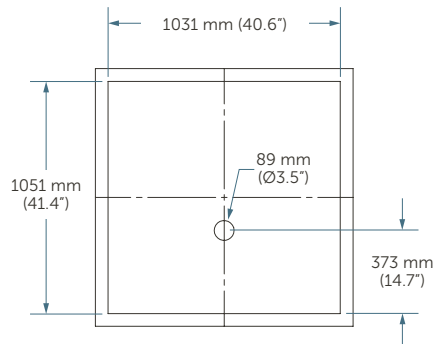


1000 L Cleanroom Tote – FSF05605.01

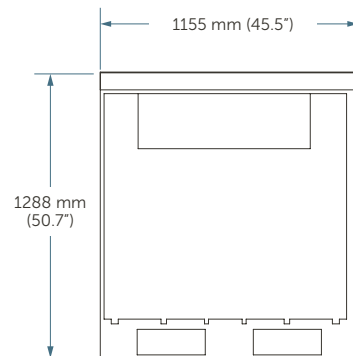
Side View Without Lid



Top View Without Lid



Side View With Lid



1000 L Bottom dispense

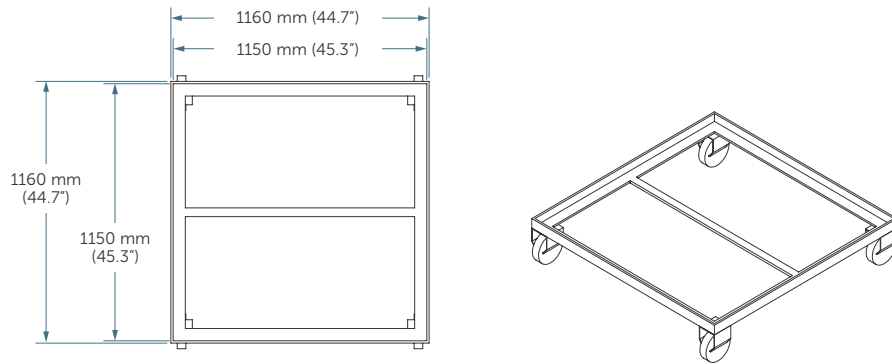
Part number	FSF05604.01	FSF05605.01
Description	1000 L ALLpaQ Genesis	1000 L ALLpaQ Cleanroom
Outside dimensions	1155 × 1155 × 1288 (45.5" × 45.5" × 50.2") LWH	1155 × 1155 × 1288 (45.5" × 45.5" × 50.2") LWH
Inside dimensions	1031 × 1051 × 935 (40.6" × 41.4" × 36.8")	1031 × 1051 × 935 (40.6" × 41.4" × 36.8")
Collapsed height	616 (24.25")	616 (24.25")
Tare weight	113 KG	113 KG
Max stack (empty)	4	4
Max stack (full)	2	2
Storage temperature	Ambient	Ambient

Contact your Entegris account manager for more information on how these tanks can optimize your process.

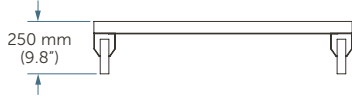
DIMENSIONS (CONTINUED)

600 L and 1000 L Dolly – FSF05606.01

Top View



Front View



Dolly

Part number	FSF05606.01
Description	304 Stainless Steel Dolly
Outside dimensions	1160 × 1160 × 249 (45.6" × 45.6" × 9.8") LWH
Collapsed height	249 (9.8")
Tare weight	27.4 KG
Storage temperature	Ambient

Contact your Entegris account manager for more information on how these tanks can optimize your process.

ORDERING INFORMATION

Part number	Description	Minimum order quantity	Ordering increments	Recommended 3D standard bag system
FSF05607.01	600 L ALLpaQ Genesis	2	1	FSB04565.01 (500 L top dispense)
FSF05608.01	600 L ALLpaQ Cleanroom	2	1	FSB04567.01 (500 L bottom dispense)
FSF05604.01	1000 L ALLpaQ Genesis	2	1	FSB04565.02 (1000 L top dispense)
FSF05605.01	1000 L ALLpaQ Cleanroom	2	1	FSB04567.02 (1000 L bottom dispense)

ACCESSORIES

Tote dolly

Part number	Description	Minimum order quantity	Ordering increments
FSF05606.01	304 Stainless Steel Dolly	1	1

FOR MORE INFORMATION

Please call your Regional Customer Service Center today to learn what Entegris can do for you. Visit [entegris.com](https://www.entegris.com) and select the [Contact Us](#) link to find the customer service center nearest you.

TERMS AND CONDITIONS OF SALE

All purchases are subject to Entegris' Terms and Conditions of Sale. To view and print this information, visit [entegris.com](https://www.entegris.com) and select the [Terms & Conditions](#) link in the footer.



Corporate Headquarters

129 Concord Road
Billerica, MA 01821
USA

Customer Service

Tel +1 952 556 4181
Fax +1 952 556 8022
Toll Free 800 394 4083

Entegris®, the Entegris Rings Design®, and other product names are trademarks of Entegris, Inc. as listed on [entegris.com/trademarks](https://www.entegris.com/trademarks). All third-party product names, logos, and company names are trademarks or registered trademarks of their respective owners. Use of them does not imply any affiliation, sponsorship, or endorsement by the trademark owner.

©2024 Entegris, Inc. | All rights reserved. | Printed in the USA | 3751-13623ENT-0624