

# Sanitary Housing

*Comprehensive portfolio of filtration products*

Entegris offers a complete portfolio of filtration products to supply cleaner and purer process liquid and gas at the point of supply. Mainly constructed of 316 L stainless steel, sanitary housing series products provide excellent stability and chemical resistance. They are designed to work with our PES/PTFE cartridges that provide good quality and stable retention for liquid filtration in chemical, ultrapure water, biotech, pharmaceutical, and food and beverage industries, as well as bulk gas filtration such as CDA/N<sub>2</sub>.

## APPLICATIONS

- Chemicals and reagents
- Ultra pure water
- Biotech and pharmaceutical
- Food and beverage
- Bulk gas



## FEATURES & BENEFITS

<b>Quantity of rounds</b>	Provides 1R housings as standard products and multi-rounds housings customizable from 2 to 50 rounds.
<b>Housing connections</b>	Multiple connection options including TC, flange, as well as customized options, provide flexibility and allow for easy installation.
<b>Housing categories</b>	T-LINE: Mainly for liquid filtration In-LINE: Mainly for liquid filtration C-LINE: Mainly for gas filtration
<b>Surface finish</b>	High quality 316 L stainless steel surface finish of wetted parts provides corrosion resistance and durability. Mirror polished inner and outer surfaces enhances cleanability and microbiological safety.
<b>Operating</b>	Operator-friendly when in using Long service lifetime Low adsorption and easy clean-up Low filtration pressure drop

## SPECIFICATIONS

---

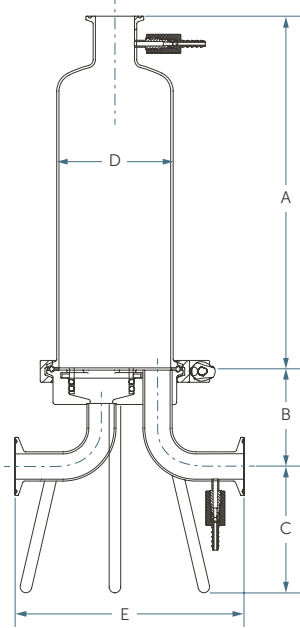
<b>Materials of construction</b>	316 L stainless steel material on wetted parts
	Electropolished (EP), mechanically polished (MP)
	Internal surface roughness at $Ra \leq 0.3 \mu m$
	External surface roughness at $Ra \leq 0.4 \mu m$
<b>Safety</b>	All single round cartridge housings are tested as below before delivery: Hydraulic pressure holding tested with design pressure for 5 minutes without any deformation, pressure drop or leakage
<b>Operating conditions</b>	Design pressure: 10 bar
	Maximum operating pressure: 6 bar
	Maximum operation temperature: 150°C (302° F)

*NOTE: For different pressure request/surface treatment/material selection, please contact local Entegris Sales.*

# T-LINE series housings

## DIMENSIONS

### T-LINE Series Single Round Stainless Steel Liquid Filters



Code	Cartridge length	A	B	C	D	E
05	127 mm (5.0")	237 mm (9.3")	84 mm (3.3")	110 mm (4.3")	101.6 mm (4.0")	200 mm (7.9")
10	254 mm (10.0")	362 mm (14.3")	84 mm (3.3")	110 mm (4.3")	101.6 mm (4.0")	200 mm (7.9")
20	508 mm (20.0")	612 mm (24.1")	84 mm (3.3")	110 mm (4.3")	101.6 mm (4.0")	200 mm (7.9")
30	762 mm (30.0")	862 mm (33.9")	84 mm (3.3")	110 mm (4.3")	101.6 mm (4.0")	200 mm (7.9")

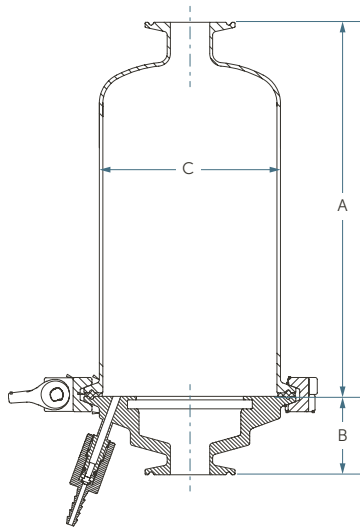
Customization is available.

## APPLICATIONS

- Pure water
- Pharmaceuticals
- Acid and alkali
- Alcohol
- Pre-filtration for RO/EDI
- Beverages and wines
- Inorganic and organic solvents

# In-LINE series housings

## DIMENSIONS



Code	Cartridge length	A	B	C
05	127 mm (5.0")	217 mm (8.5")	65 mm (2.6")	101.6 mm (4.0")
10	254 mm (10.0")	332 mm (13.1")	65 mm (2.6")	101.6 mm (4.0")

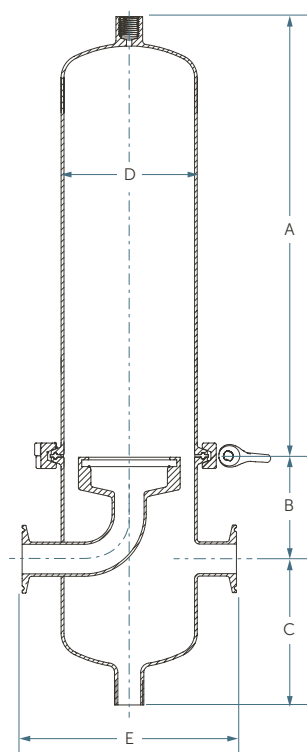
Customization is available.

## APPLICATIONS

- Ultra-pure water
- Pharmaceuticals
- Chemicals/Agents
- Breath and venting

# C-LINE series housings

## DIMENSIONS



Code	Cartridge length	A	B	C	D	E
5	127 mm (8.5")	192 mm (7.6")	80 mm (3.1")	169 mm (6.7")	101.6 mm (4.0")	200 mm (7.9")
10	254 mm (10.0")	307 mm (12.1")	80 mm (3.1")	169 mm (6.7")	101.6 mm (4.0")	200 mm (7.9")
20	508 mm (20.0")	557 mm (21.9")	80 mm (3.1")	169 mm (6.7")	101.6 mm (4.0")	200 mm (7.9")

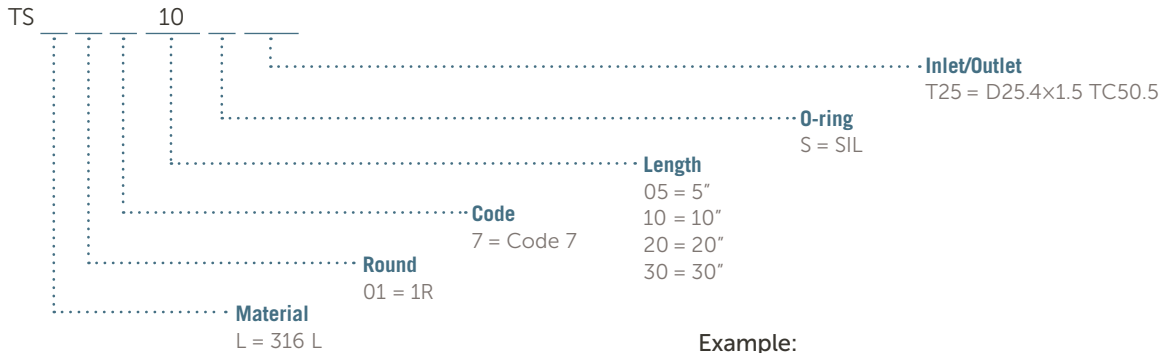
Customization is available.

## APPLICATIONS

- Filtration for aseptic gas and fermentation gas with high efficient PTFE cartridges
- Filtration for high purity gas with glass fiber filter cartridges
- Filtration for high temperature gas with stainless steel cartridges
- CDA/N<sub>2</sub>

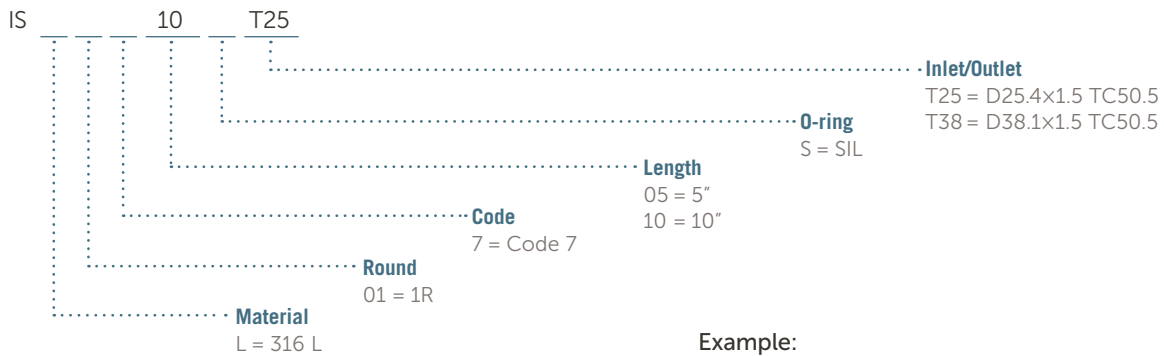
## ORDERING INFORMATION

### T-LINE Sanitary Housing: part number



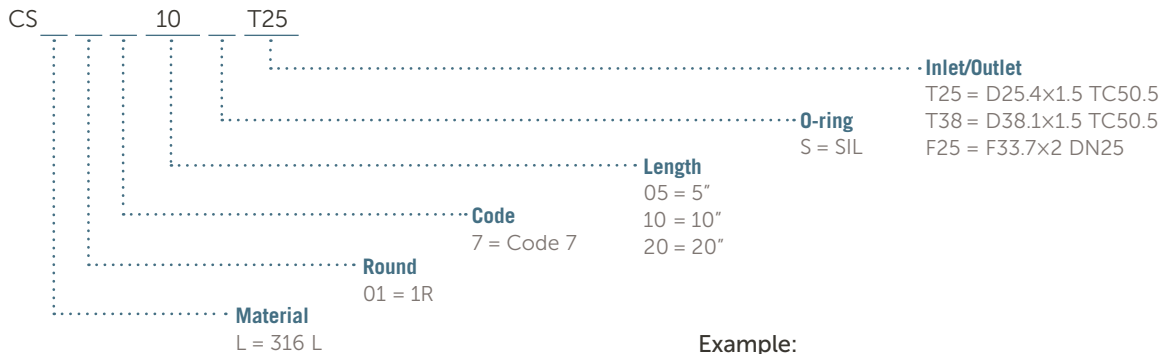
**Example:**  
TS01710ST25 = T-LINE 316 L 1R Code 7 10" SIL T25

### In-LINE Sanitary Housing: part number



**Example:**  
IS01710ST25 = In-LINE 316 L 1R Code 7 10" SIL T25

### C-LINE Sanitary Housing: part number



**Example:**  
CS01710ST25 = C-LINE 316 L 1R Code 7 10" SIL T25

NOTE: For multi-rounds and customized requests, please contact local Entegris Sales.

#### FOR MORE INFORMATION

Please call your Regional Customer Service Center today to learn what Entegris can do for you. Visit [entegris.com](http://entegris.com) and select the [Contact Us](#) link to find the customer service center nearest you.

#### TERMS AND CONDITIONS OF SALE

All purchases are subject to Entegris' Terms and Conditions of Sale. To view and print this information, visit [entegris.com](http://entegris.com) and select the [Terms & Conditions](#) link in the footer.



#### Corporate Headquarters

129 Concord Road  
Billerica, MA 01821  
USA

#### Customer Service

Tel +1 952 556 4181  
Fax +1 952 556 8022  
Toll Free 800 394 4083

Entegris®, the Entegris Rings Design®, and other product names are trademarks of Entegris, Inc. as listed on [entegris.com/trademarks](http://entegris.com/trademarks). All third-party product names, logos, and company names are trademarks or registered trademarks of their respective owners. Use of them does not imply any affiliation, sponsorship, or endorsement by the trademark owner.

©2023 Entegris, Inc. | All rights reserved. | Printed in the USA | 4459-13114ENT-1123