

NOWPak[®] Canister Closure

*Clear anodized two-piece aluminum
breakseal closure*

NOWPak[®] liner-based canister system closures with their two-piece aluminum design and PTFE seals protect critical materials within filled canister systems. Fits 4- to 40-liter size canisters with 63 mm buttress thread.

APPLICATIONS

- Photolithography applications
- Applications requiring gas permeation protection
- High-purity solvents
- Other liquid applications

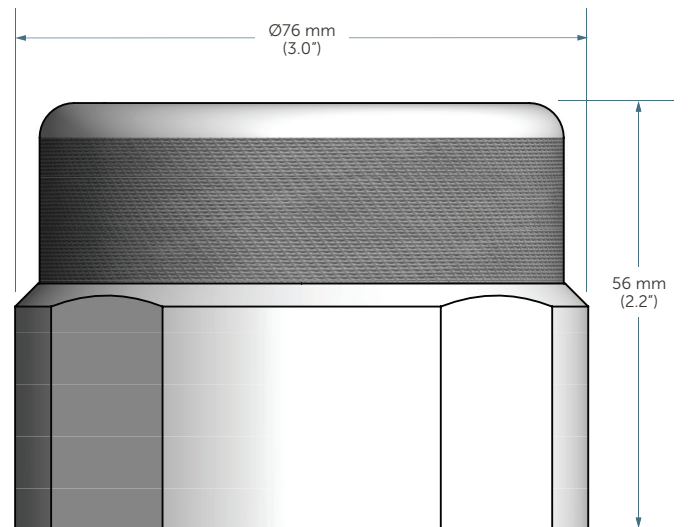
FEATURES & BENEFITS

- Two-piece breakseal closure design remains sealed until the connector is installed
- PTFE breakseals hold up to demanding high-purity materials
- Closure is reusable after cleaning and replacing the breakseal



NC-04, NC-04-2, and NCE-04 breakseal closure

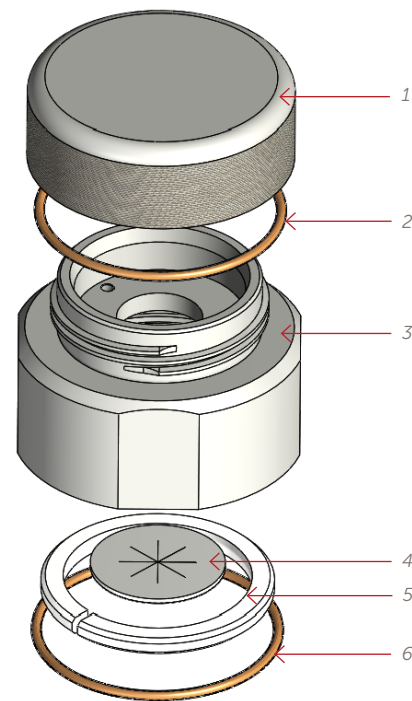
DIMENSIONS



Note: dimensions shown are maximum.

DIMENSIONS (CONTINUED)

Item	Quantity	Item description
1	1	Cap
2	1	Closure cap seal O-ring: EPDM with PTFE coating or FEP-encapsulated silicone
3	1	Closure body with 63 mm, modified buttress thread
4	1	Breakseal: NC-04 and NC-04-2: NA-09 type breakseal NCE-04: NA-49 type donut breakseal
5	1	Compression ring, HDPE
6	1	Closure body seal O-ring: EPDM with PTFE coating or FEP-encapsulated silicone



NC-04-2 Closure with NA-09 breakseal

Note: For the NC-04-2 closure only, please note that Item 2, Closure cap seal O-ring, and Item 6, Closure body seal O-ring, each have different part numbers for ordering. See the Ordering Information Accessories section on page 4 for part numbers.

SPECIFICATIONS

Part numbers	NC-04, NC-04-2, and NCE-04	
Materials of construction	Closure body	Machined aluminum with clear anodized finish
	Cap	Machined aluminum with clear anodized finish
	O-ring seals	NC-04 and NCE-04: EPDM with PTFE coating NC-04-2: FEP-encapsulated silicone
	Breakseal	Pre-cleaned laminate construction with PTFE wetted surface <ul style="list-style-type: none"> NC-04 and NC-04-2: NA-09 type breakseal NCE-04: NA-49 type donut breakseal
	Compression ring	HDPE
	Cleanroom bag	PE
Thread type	Cap	2.25" major diameter, Acme
	Closure	63 mm modified buttress thread
Application torque	Cap	Hand tight
	Closure	27–34 N•m (20–25 ft•lbs)
Manufacturing standards	Fabricated and tested in a Class 5 Cleanroom as per International Standard ISO 14644-1:* Cleanrooms and associated controlled environments — Part 1: Classification of air cleanliness.	
Cleanliness	Closure assembly to be free from lubricants and other extraneous foreign materials consistent with Entegris' processes and procedures.	

*ISO standard certification is kept up to date as necessary to remain current and effective to be able to demonstrate compliance with up-to-date ISO requirements.

SHIPPING INFORMATION

Packaging	Each closure assembly is individually double bagged in a heat sealed, cleanroom processed PE inner bag and a heat sealed PE outer bag. Closures are then placed in a corrugated shipping carton that is lined with a PE bag.
Part Number	NC-04, NC-04-2, and NCE-04
Box Quantity	50
Box Dimension	406 mm L x 406 mm W x 406 mm H (16" L x 16" W x 16" H)
Labeling	The inner bag of each closure assembly is labeled with the part number and batch number. Each corrugated shipping carton is labeled with the part number, batch number, quantity and date of manufacture.

ORDERING INFORMATION

NC-04, NC-04-2, and NCE-04 Breakseal Closures: part number

<p>Closure thread style/O-ring</p> <p>04 = 63 mm modified buttress thread with EPDM with PTFE coating O-ring</p> <p>04-2 = 63 mm modified buttress thread with FEP-encapsulated silicone O-ring</p>	<p>NOWPak closure</p> <p>NC = Closure with NA-09 type breakseal</p> <p>NCE = Closure with NA-49 type breakseal</p>
--	---

Accessories

Part number	Description
NA-18	Torque wrench, 1/2" drive
NA-10	Torque adapter for NC-03 and NC-04 type aluminum closures
NA-23	Breakseal insertion tool
NA-60	Liner insertion tool
200328-C	Closure body and cap seal replacement O-ring for NC-04 and NCE-04 closures, EPDM with PTFE coating, (reference items 2 and 6 from the image on page 2), quantity of 1
200328-C-50	Closure body and cap seal replacement O-ring for NC-04 and NCE-04 closures, EPDM with PTFE coating, (reference items 2 and 6 from the image on page 2), bag of 50
200328-C-500	Closure body and cap seal replacement O-ring for NC-04 and NCE-04 closures, EPDM with PTFE coating, (reference items 2 and 6 from the image on page 2), bag of 500

Accessories (continued)

Part number	Description
NA-133-T-10*	Closure cap seal replacement O-ring for NC-04-2 closure (reference item 2 from the image on page 2), FEP-encapsulated silicone, bag of 10
NA-133-T-100*	Closure cap seal replacement O-ring for NC-04-2 closure (reference item 2 from the image on page 2), FEP-encapsulated silicone, bag of 100
NA-133-B-10*	Closure body seal replacement O-ring for NC-04-2 closure (reference item 6 from the image on page 2), FEP-encapsulated silicone, bag of 10
NA-133-B-100*	Closure body seal replacement O-ring for NC-04-2 closure (reference item 6 from the image on page 2), FEP-encapsulated silicone, bag of 100
NA-133-S-10	Closure body replacement split compression ring for NC-04, NC-04-2, and NCE-04 closures, HDPE, bag of 10
NA-133-S-100	Closure body replacement split compression ring for NC-04, NC-04-2, and NCE-04 closures, HDPE, bag of 100
NA-09-50	Replacement breakseal, precleaned, laminate construction with PTFE wetted surface, bag of 50
NA-09-500	Replacement breakseal, precleaned, laminate construction with PTFE wetted surface, bag of 500
NA-49-50	Replacement breakseal, donut style, precleaned laminate construction with PTFE wetted surface, bag of 50
NA-49-500	Replacement breakseal, donut style, precleaned laminate construction with PTFE wetted surface, bag of 500

**For the NC-04-2 closure only, when ordering replacement O-rings please note that there are separate replacement O-ring part numbers for the closure cap and body: Closure cap O-ring = NA-133-T-10 or NA-133-T-100; Closure body O-ring = NA-133-B-10 or NA-133-B-100. (Reference the table and diagram on page 2, item numbers 2 and 6.)*

FOR MORE INFORMATION

Please call your Regional Customer Service Center today to learn what Entegris can do for you. Visit [entegris.com](https://www.entegris.com) and select the [Contact Us](#) link to find the customer service center nearest you.

TERMS AND CONDITIONS OF SALE

All purchases are subject to Entegris' Terms and Conditions of Sale. To view and print this information, visit [entegris.com](https://www.entegris.com) and select the [Terms & Conditions](#) link in the footer.



Corporate Headquarters

129 Concord Road
Billerica, MA 01821
USA

Customer Service

Tel +1 952 556 4181
Fax +1 952 556 8022
Toll Free 800 394 4083

Entegris®, the Entegris Rings Design®, and other product names are trademarks of Entegris, Inc. as listed on [entegris.com/trademarks](https://www.entegris.com/trademarks). All third-party product names, logos, and company names are trademarks or registered trademarks of their respective owners. Use of them does not imply any affiliation, sponsorship, or endorsement by the trademark owner.

©2016-2024 Entegris, Inc. | All rights reserved. | Printed in the USA | 7124-8201ENT-1024