

NOWPak[®] Canister Closures

*Clear, anodized, two-piece aluminum
breakseal closure assembly*

NOWPak[®] liner-based canister system closures with their two-piece aluminum design and PTFE seals protect critical materials within filled canister systems.

APPLICATIONS

- Photolithography applications
- Applications requiring gas permeation protection
- High-purity solvents
- Other liquid applications

FEATURES & BENEFITS

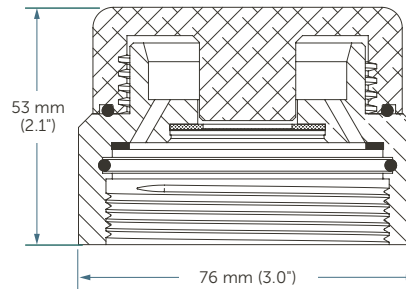
- Two-piece breakseal closure design remains sealed until the connector is installed
- PTFE breakseals hold up to demanding high-purity materials
- Closure is reusable after cleaning and replacing the breakseal and O-rings



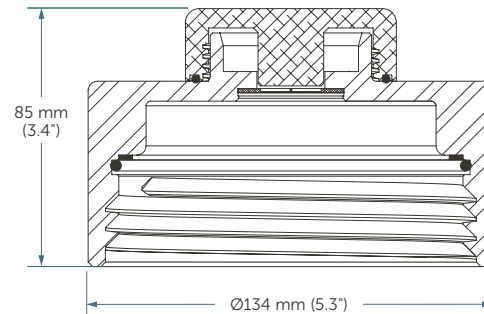
Shown: NC-03 breakseal closure

DIMENSIONS

NC-03, NC-03-2, and NCE-03 closures for 4- to 40-liter canisters



NC-200-2 and NCE-200-2 for 200-liter canisters

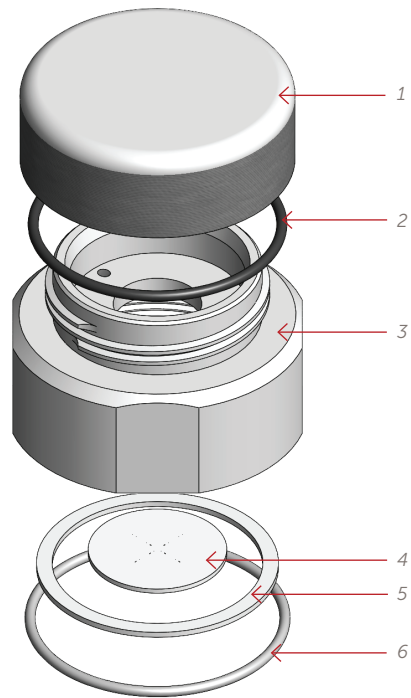


Note: Dimensions shown are maximum.

DIMENSIONS (CONTINUED)

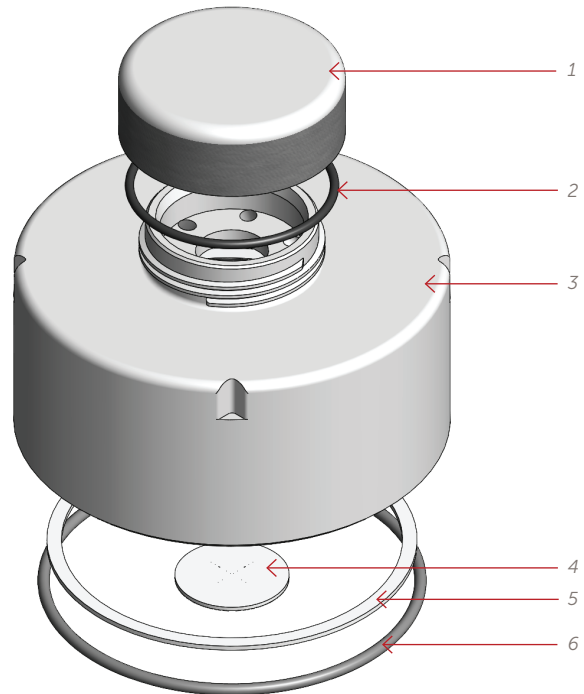
NC-03, NC-03-2, and NCE-03 closures for 4- to 40-liter canisters

Item	Quantity	Description
1	1	Cap
2	1	Cap O-ring, EPDM with PTFE coating or FEP-encapsulated silicone
3	1	Closure body with 2.5–12 UN thread
4	1	Breakseal: NC-03 and NC-03-2: NA-09 type breakseal NCE-03: NA-49 type donut breakseal
5	1	Compression ring
6	1	Closure body O-ring: EPDM with PTFE coating or FEP-encapsulated silicone



NC-200-2 and NCE-200-2 for 200-liter canisters

Item	Quantity	Description
1	1	Cap
2	1	Cap O-ring, EPDM with PTFE coating
3	1	Closure body with 4.75-4 buttress thread, 2" fitment for 200-liter canisters
4	1	Breakseal: NC-200-2: NA-09 type breakseal NCE-200-2: NA-49 type donut breakseal
5	1	Compression ring
6	1	Closure body O-ring: FEP-encapsulated silicone



SPECIFICATIONS

Part number	NC-03, NC-03-2, NCE-03, NC-200-2, and NCE-200-2			
Materials of construction	Closure body	Machined aluminum with clear anodized finish		
	Cap body	Machined aluminum with clear anodized finish		
	Cap O-ring seal	NC-03, NCE-03, NC-200-2, and NCE-200-2	Molded EPDM with PTFE coating	
		NC-03-2	FEP-encapsulated silicone	
	Closure body O-ring seal	NC-03 and NCE-03	Molded EPDM with PTFE coating	
		NC-03-2, NC-200-2, and NCE-200-2	FEP-encapsulated silicone	
	Breakseal	NC-03, NC-03-2, NC-200-2: NA-09 type, precleaned, laminate construction with PTFE wetted surface NCE-03 and NCE-200-2: NA-49 type, donut style, precleaned, laminate construction with PTFE wetted surface		
	Compression ring	NC-03, NC-03-2, and NCE-03	HDPE	
NC-200-2 and NCE-200-2		Polypropylene		
Cleanroom bag	Polyethylene			
Thread types	Cap (all models)	2.25, Acme, double start		
	Closure	NC-03, NC-03-2, and NCE-03	2.5-12 UN thread	
		NC-200-2 and NCE-200-2	4.75-4 buttress thread	
Application torque	Cap (all models)	Hand tight		
	Closure	NC-03, NC-03-2, and NCE-03	27–34 N•m (20–25 ft•lb)	
		NC-200-2 and NCE-200-2	47–54 N•m (35–40 ft•lb)	
Manufacturing standards	Fabricated and tested in a Class 5 Cleanroom as per International Standard ISO 14644-1:* Cleanrooms and associated controlled environments – Part 1: Classification of air cleanliness			
Cleanliness	Closure assembly to be free from lubricants and other extraneous foreign materials consistent with our processes and procedures			

*ISO standard certification is kept up to date as necessary to remain current and effective to be able to demonstrate compliance with up-to-date ISO requirements.

SHIPPING INFORMATION

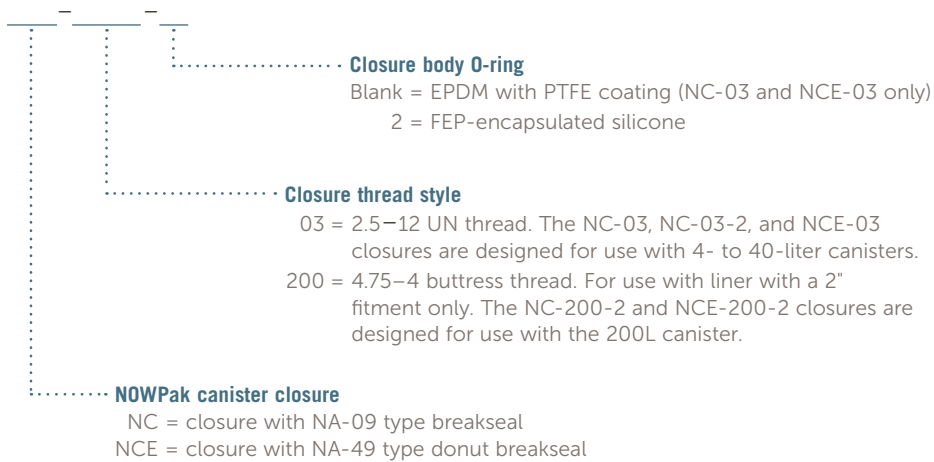
Packaging Each closure assembly is individually double bagged in a heat-sealed, cleanroom-processed, PE inner bag, and a heat-sealed PE outer bag. Closures are then placed in a corrugated shipping carton that is lined with a PE bag. See table below for quantities.

PART NUMBER	QUANTITY PER CARTON
NC-03, NC-03-2, NCE-03	50
NC-200-2, NCE-200-2	25

Labeling Each individual closure assembly is labeled with the part number and batch number. Each corrugated shipping carton is labeled with the part number, batch number, quantity, and date of manufacture.

ORDERING INFORMATION

NOWPak Canister Closures: part number



ACCESSORIES

Item	Description
NC-03-B	Replacement aluminum closure bottom for NC-03, NC-03-2, and NCE-03 closures. 5- 12 UN thread.
NA-09-50	Replacement breakseal, precleaned, laminate construction with PTFE wetted surface, bag of 50.
NA-09-500	Replacement breakseal, precleaned, laminate construction with PTFE wetted surface, bag of 500.
NA-49-50	Replacement breakseal, donut style, precleaned laminate construction with PTFE wetted surface, bag of 50.
NA-49-500	Replacement breakseal, donut style, precleaned laminate construction with PTFE wetted surface, bag of 500.
NA-23	Breakseal insertion tool.
NA-60	Liner insertion tool for 4 to 40 liter canisters.
NA-60-200	Liner insertion tool for 200 liter canisters.
NA-18	Torque wrench, ½" drive.
NA-10	Torque adapter for NC-03 type and NC-04 type aluminum closures.
200328-C-50	Closure cap replacement O-ring for NC-03, NCE-03, NC-200-2, and NCE-200-2 closures, EPDM with PTFE coating, bag of 50.

Item	Description
200328-C-500	Closure cap replacement O-ring for NC-03, NCE-03, NC-200-2, and NCE-200-2 closures, EPDM with PTFE coating, bag of 500.
NA-133-T-10	Closure cap and body replacement O-rings for NC-03-2, FEP-encapsulated silicone, bag of 10.
NA-133-T-100	Closure cap and body replacement O-rings for NC-03-2, FEP-encapsulated silicone, bag of 100.
200405-C-500	Closure body seal replacement O-ring for NC-03 and NCE-03, EPDM with PTFE coating, bag of 500.
201075-C	Closure body seal replacement O-ring for NC-200-2 and NCE-200-2 closures, FEP-encapsulated silicone, quantity 1.
400321-C-100	Closure body compression ring for NC-03, NC-03-2, and NCE-03 closures, HDPE, bag of 100.
400321-C-500	Closure body compression ring for NC-03, NC-03-2, and NCE-03 closures, HDPE, bag of 500.
401120-C	Closure body compression ring for NC-200-2 and NCE-200-2 closures, polypropylene, quantity 1.

FOR MORE INFORMATION

Please call your Regional Customer Service Center today to learn what Entegris can do for you. Visit [entegris.com](https://www.entegris.com) and select the [Contact Us](#) link to find the customer service center nearest you.

TERMS AND CONDITIONS OF SALE

All purchases are subject to Entegris' Terms and Conditions of Sale. To view and print this information, visit [entegris.com](https://www.entegris.com) and select the [Terms & Conditions](#) link in the footer.



Corporate Headquarters

129 Concord Road
Billerica, MA 01821
USA

Customer Service

Tel +1 952 556 4181
Fax +1 952 556 8022
Toll Free 800 394 4083

Entegris®, the Entegris Rings Design®, and other product names are trademarks of Entegris, Inc. as listed on [entegris.com/trademarks](https://www.entegris.com/trademarks). All third-party product names, logos, and company names are trademarks or registered trademarks of their respective owners. Use of them does not imply any affiliation, sponsorship, or endorsement by the trademark owner.

©2018-2024 Entegris, Inc. | All rights reserved. | Printed in the USA | 7124-8185ENT-1024