

NOWPak® Canister System Pressure Dispense Connector

Thread-on connector with anodized aluminum body

ND-CD series pressure dispense connectors provide a clean, convenient, and completely sealed method for dispensing chemicals from NOWPak® canisters. The connectors are used together with breakseals, aluminum closures, diptubes, and replacement liners. ND-CD connectors are for use with 4- to 200-liter size canisters.

APPLICATIONS

- Photoresist/color resist
- Low-viscosity material for microelectronics applications
- Other liquid material coating markets

FEATURES & BENEFITS

- Maximizes chemical utilization
- Minimizes defects associated with particles and microbubbles
- Enhances chemical compatibility performance and cleanliness
- Provides improved protection for moisture-sensitive materials



ND-CD series pressure dispense connector

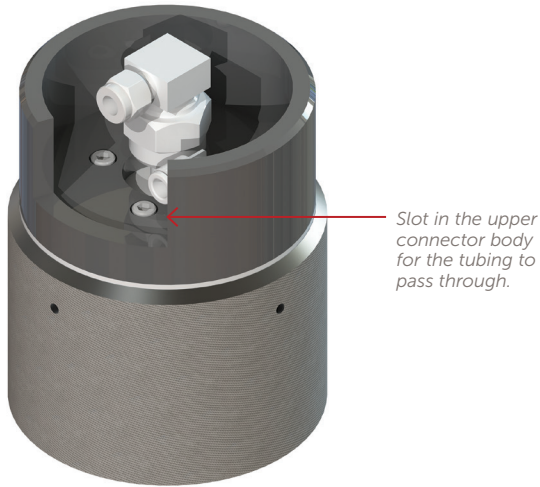
SPECIFICATIONS

Materials of construction	Wetted parts	Probe	PTFE
		Liquid outlet fitting	PTFE, compression style
		Primary probe O-ring seal	Chemraz®
	Nonwetted parts	Upper connector body	Aluminum
		Lower connector body	Aluminum
		Retainer	Polypropylene
		Gas inlet fitting	PBT
		Bushing	PTFE
		Cap screws	Stainless steel
		Secondary probe O-ring seal	Chemraz
		Probe to retainer O-ring seal	EPDM
		Connector to overpack O-ring seal	EPDM
		Cleanroom bag	Polyethylene
Weight	0.8 kg (1.8 lbs)		
Tube connections	Per part number designation on page 5		
Dispense method	Pressure or pump		
Thread type	2.25 Acme double start		
Performance	Operating pressure	103 kPa (15 psi) maximum (within the U.S.) 207 kPa (30 psi) maximum (outside of the U.S.)	
	Fluid temperature	25°C (77°F)	
Manufacturing standards	Fabricated and tested in a Class 5 cleanroom as per International Standard ISO 14644-1:* Cleanrooms and associated controlled environments – Part 1: Classification of air cleanliness.		
Cleanliness	Connector to be free from lubricants and other extraneous foreign materials consistent with Entegris' processes and procedures.		

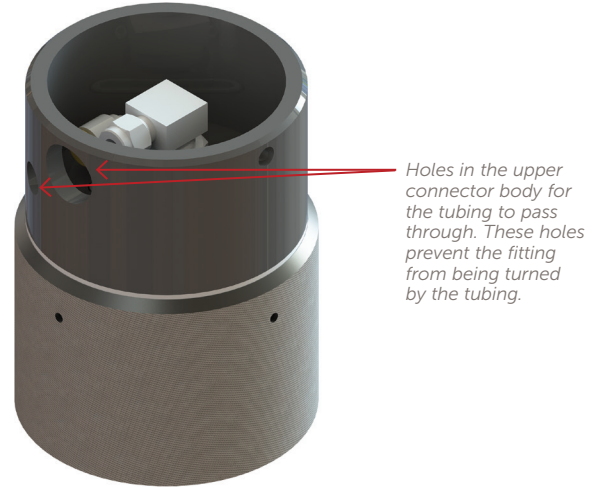
*ISO standard certification is kept up to date as necessary to remain current and effective to be able to demonstrate compliance with up-to-date ISO requirements.

DIMENSIONS

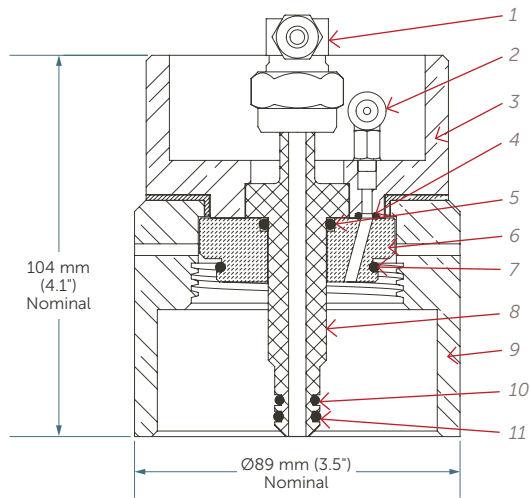
ND-CD-SA Type (Slotted)



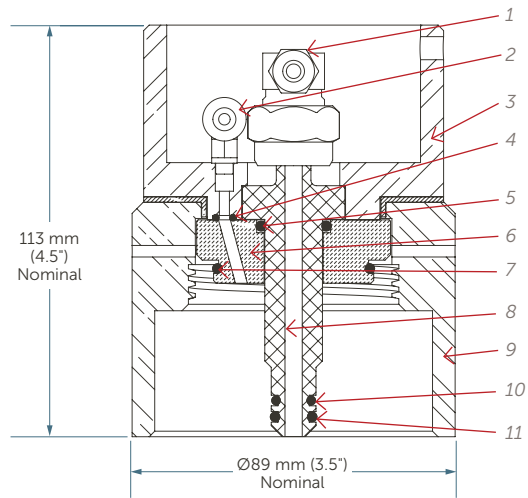
ND-CD-SB Type (Strain Relief)



ND-CD-SA Connector



ND-CD-SB Connector

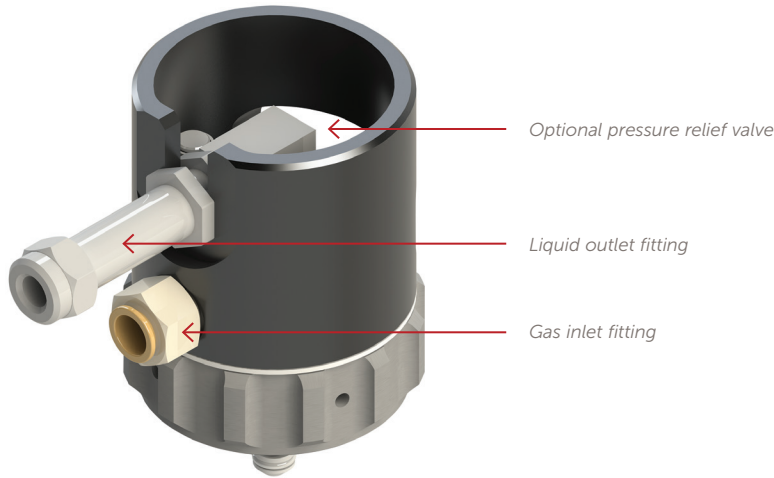


Item	Quantity	Description
1	1	Liquid fitting per configuration table
2	1	Gas inlet fitting per configuration table
3	1	Upper connector
4	1	Pressure in O-ring seal, EPDM
5	1	Probe to retainer O-ring seal, EPDM
6	1	Retainer
7	1	Connector to overpack O-ring seal, EPDM

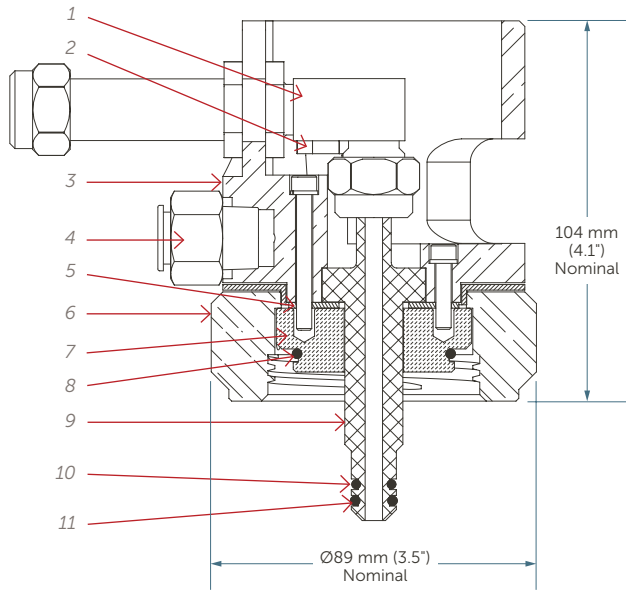
Item	Quantity	Description
8	1	Probe
9	1	Lower connector
10	1	Secondary probe O-ring seal, Chemraz
11	1	Primary probe O-ring seal, Chemraz
12	1	Pressure relief valve (optional, not shown in images above) ND-CD-SA and ND-CD-SB: 15 psi

DIMENSIONS (CONTINUED)

ND-CD-XC Type



ND-CD-XC Connector



Item	Quantity	Description
1	1	Liquid fitting per configuration table
2	1	Pressure relief valve (optional) ND-CD-XC: 35 psi
3	1	Upper connector
4	1	Gas inlet fitting per configuration table
5	1	Gasket, upper connector to retainer
6	1	Lower connector

Item	Quantity	Description
7	1	Retainer
8	1	Connector to overpack O-ring seal, EPDM
9	1	Probe
10	1	Secondary probe O-ring seal, Chemraz
11	1	Primary probe O-ring seal, Chemraz

SHIPPING INFORMATION

Labeling	Each connector is labeled with the part number, batch number/serial number, and date of manufacture. Each shipping carton is labeled with the part number, batch number, quantity of connectors, and date of manufacture.
Packaging	Each connector is double bagged (cleanroom processed and heat sealed in a PE inner bag; then heat sealed in a PE outer bag), then packaged in a corrugated shipping carton, lined on top and bottom with bubble wrap.

ORDERING INFORMATION

NOWPak Canister System Pressure Dispense Connector: part number

ND-CD - - - - -

Keycode

Blank = No keycode
 K01 = 01
 K04 = 04
 K09 = 09

Valving options

Blank = No pressure relief or check valve
 VYN = Pressure relief with no check valve
 VNY = Check valve with no pressure relief valve
 VYY = Check valve and pressure relief valve

Gas inlet fitting size

A = 1/4" SMC elbow
 B = 6 mm SMC elbow
 C = 1/2" SMC straight (200 L)
 D = 6 mm SMC straight
 Z = No gas inlet fitting

Liquid outlet fitting size

A = 1/4" Flowell™ elbow
 B = 3/8" Flowell elbow
 C = 6 mm Flowell elbow
 D = 8 mm Flowell elbow
 E = 10 mm Flowell elbow
 F = 1/4" Flowell straight
 G = 3/8" Flowell straight
 H = 6 mm Flowell straight
 I = 8 mm Flowell straight
 J = 10 mm Flowell straight
 K = 10 mm Flowell bulkhead elbow
 Z = No liquid outlet fitting

Connector style

A = Slotted
 B = Strain relief
 C = Bulkhead (X model [200 L] only)

Connector size

S = Standard (40 L and smaller)
 X = Large without pressure bleed assembly (200 L)

ORDERING INFORMATION (CONTINUED)

Accessories

Part number	Description			ND-CD-SA, SB ITEM # (PAGE 3)	ND-CD-XC ITEM # (PAGE 4)	RECOMMENDED TIMING FOR REPLACEMENT	
NA-30	O-ring replacement kit* which contains:						
		QUANTITY	COMPONENT PART NUMBER*	DESCRIPTION			
		10	200088	Primary and secondary probe O-ring, Chemraz	10, 11	10, 11	6 months
		5	200332-C	Connector to overpack seal, EPDM	7	8	6 months
		3	200293-C	Pressure in O-ring, EPDM	4	—	12 months
		3	200331	Probe to retainer O-ring, EPDM	5	—	12 months
200939-C	Retainer gasket, quantity of 1			—	5	6 months	
NA-27	O-ring extraction/maintenance kit						
NA-06	Liner removal tool, for 4- to 40-liter canister sizes						
DA-04	Liner removal tool, for 200-liter size canisters						

*NA-30 kit components are also available for purchase separately (quantity of 1 each per part number).

FOR MORE INFORMATION

Please call your Regional Customer Service Center today to learn what Entegris can do for you. Visit entegris.com and select the [Contact Us](#) link to find the customer service center nearest you.

TERMS AND CONDITIONS OF SALE

All purchases are subject to Entegris' Terms and Conditions of Sale. To view and print this information, visit entegris.com and select the [Terms & Conditions](#) link in the footer.



Corporate Headquarters

129 Concord Road
Billerica, MA 01821
USA

Customer Service

Tel +1 952 556 4181
Fax +1 952 556 8022
Toll Free 800 394 4083

Entegris®, the Entegris Rings Design®, and other product names are trademarks of Entegris, Inc. as listed on entegris.com/trademarks. All third-party product names, logos, and company names are trademarks or registered trademarks of their respective owners. Use of them does not imply any affiliation, sponsorship, or endorsement by the trademark owner.

©2018-2023 Entegris, Inc. | All rights reserved. | Printed in the USA | 7124-10109ENT-1123